

- It is recommended to adjust the columns to the desired height before installing the display.
- If you want to adjust the columns height after finishing the display installation. Please remove the DVD shelf, then adjust the columns to the desired height.



**WARNING:** EXCEEDING THE WEIGHT CAPACITY CAN RESULT IN SERIOUS PERSONAL INJURY OR DAMAGE TO EQUIPMENT!

**Maintenance**

- Check if the bracket is secure and safe to use at regular intervals(at least every three months).
- Please contact your distributor if you have any questions.

INSTALLATION MANUAL



400x400/600x400  
800x400/800x600  
900x600/1000x600



100kg/220lbs



5kg/11lbs



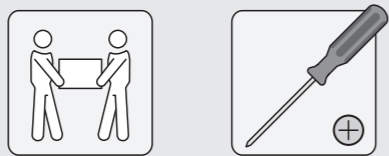
5kg/11lbs

**NOTE:** Read the entire instruction manual before you start assembly.

## ⚠ WARNING

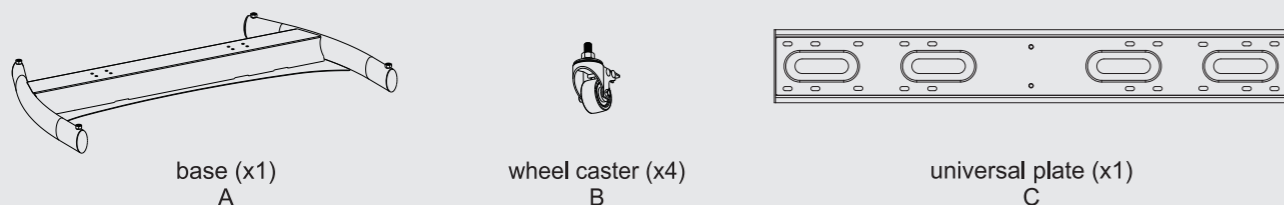
- Do not begin the installation until you have read and understood the instructions and warnings contained in this installation sheet. If you have any questions regarding any of the instructions or warnings, please contact your point of purchase.
- This mounting bracket was designed to be installed and utilized **ONLY** by following the instruction of this manual. Improper installation of this product may cause damage or serious injury.
- This product should only be installed by someone with professional mechanical ability who has basic building experience and fully understands this manual.
- Make sure that the supporting surface will safely support the combined weight of the equipment and all attached hardware and components.
- Always use an assistant or mechanical lifting equipment to safely lift and position the equipment.
- Tighten screws firmly, but do not over tighten. Over tightening can cause damage to the product, which largely reduces weight capacity.
- This product is for indoor use only. Using this product outdoors could lead to product failure and personal injury.

## Requirement for Installation

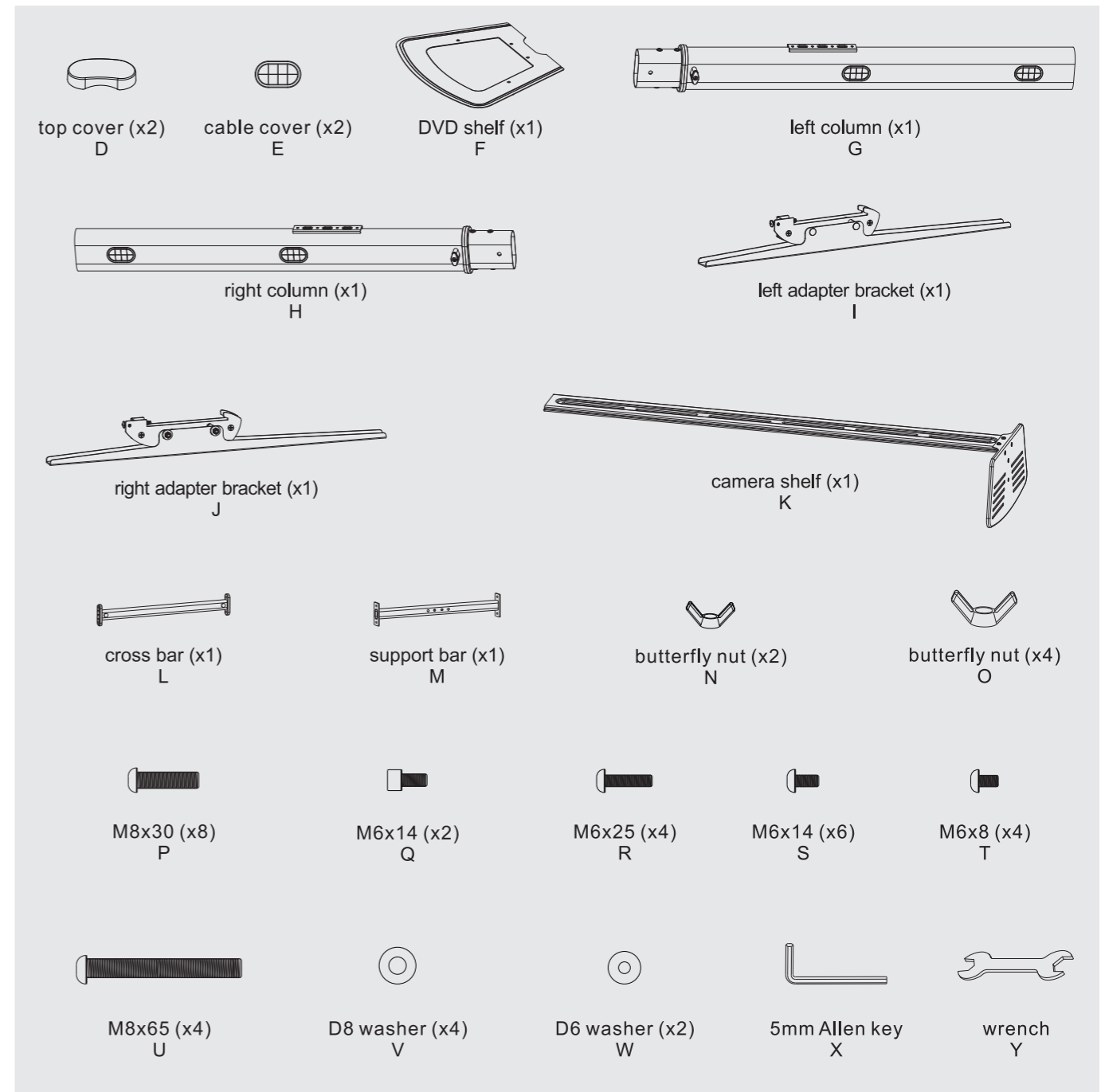


## Parts Checklist

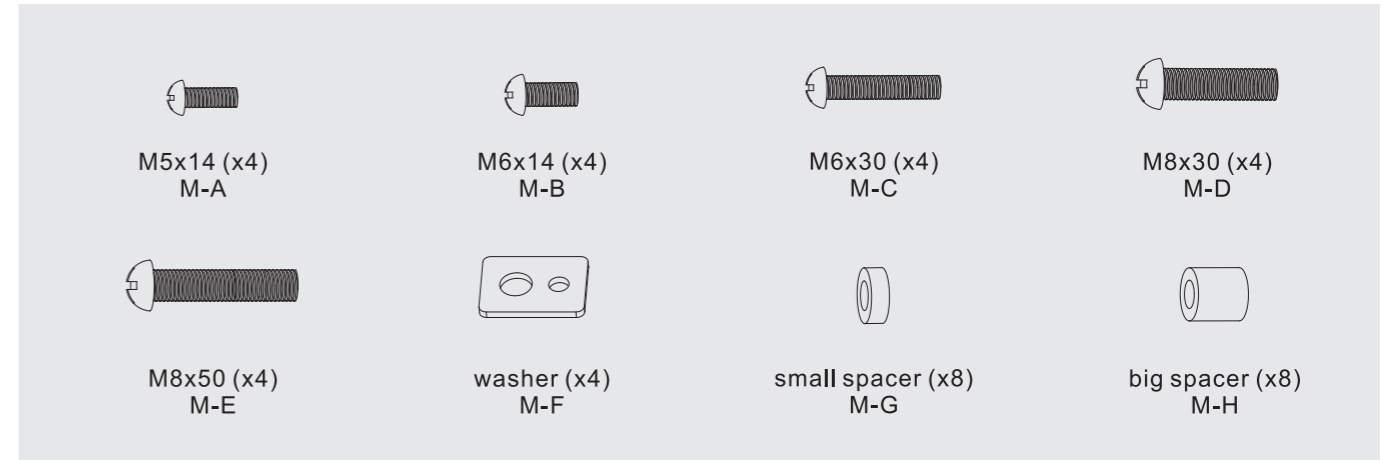
**IMPORTANT:** Ensure that you have received all parts according to the component checklist prior to installation. If any parts miss or isn't correctly provided, contact your point of purchase for a replacement.



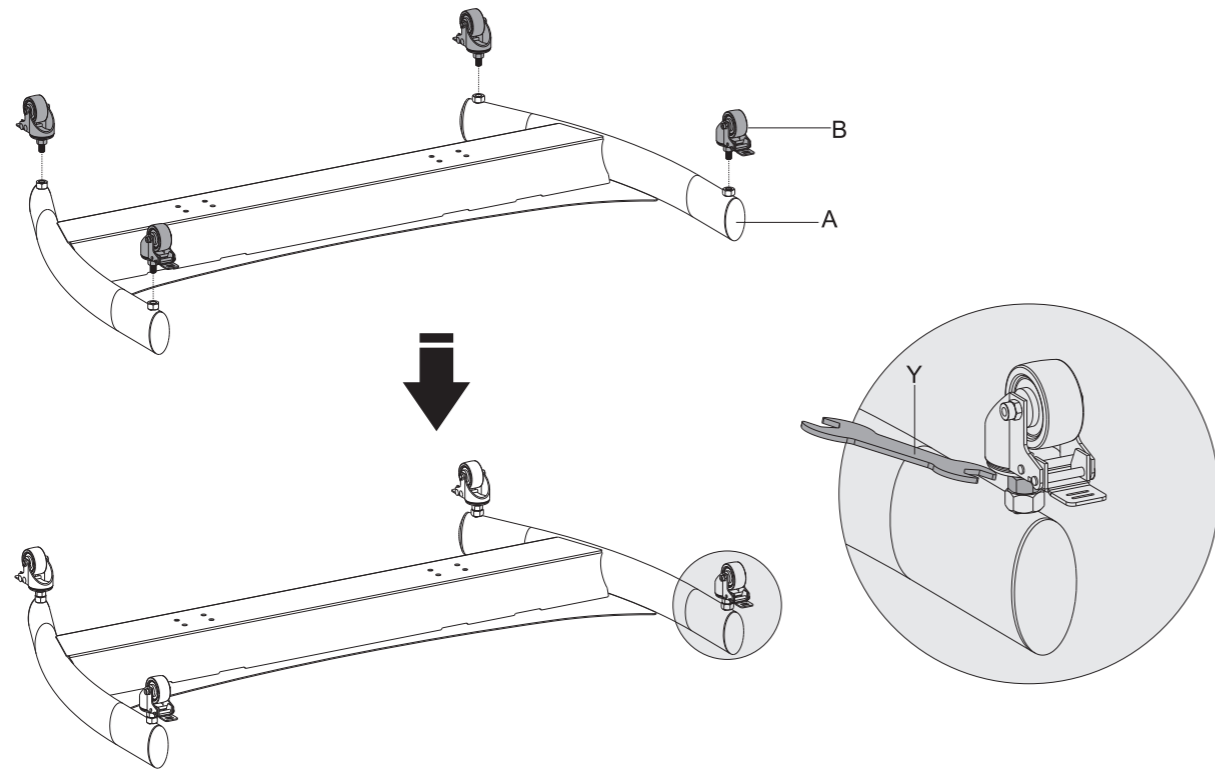
## Parts Checklist



## Package M

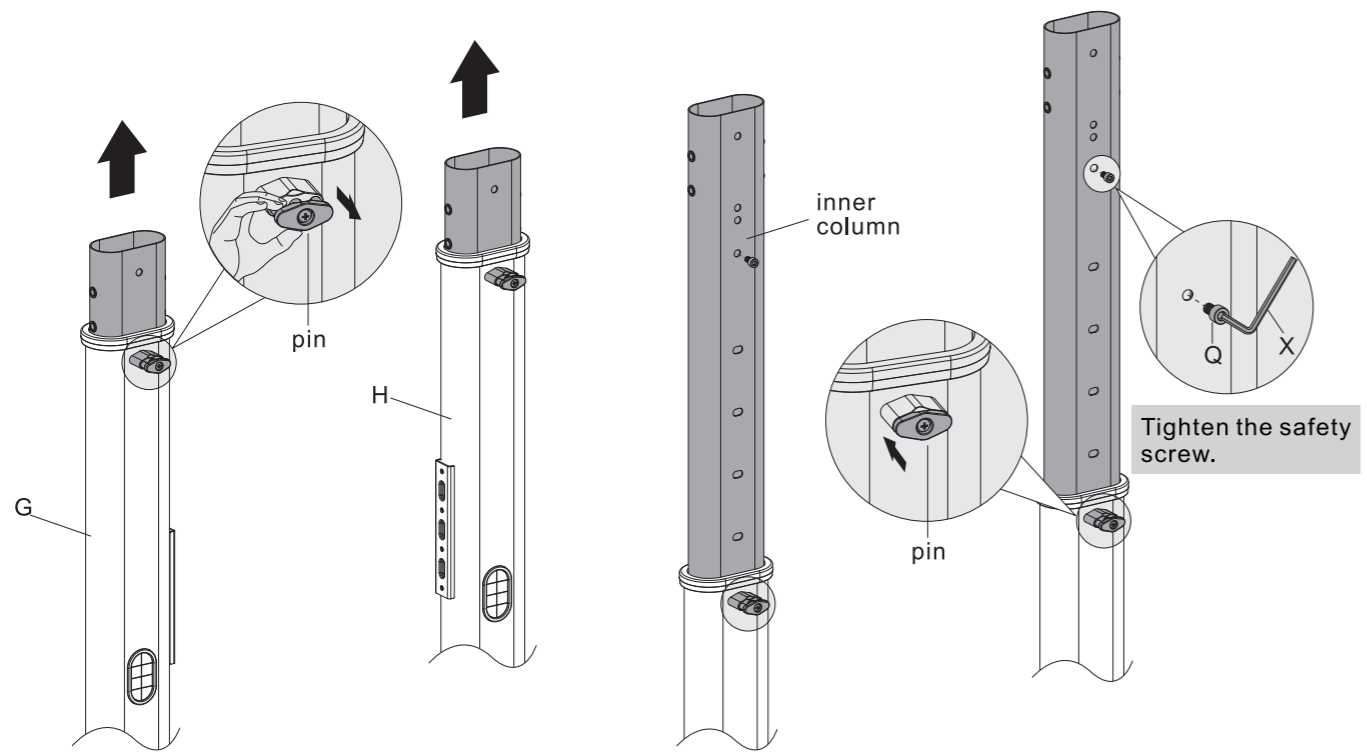


## 1. Installing the Wheel Caster



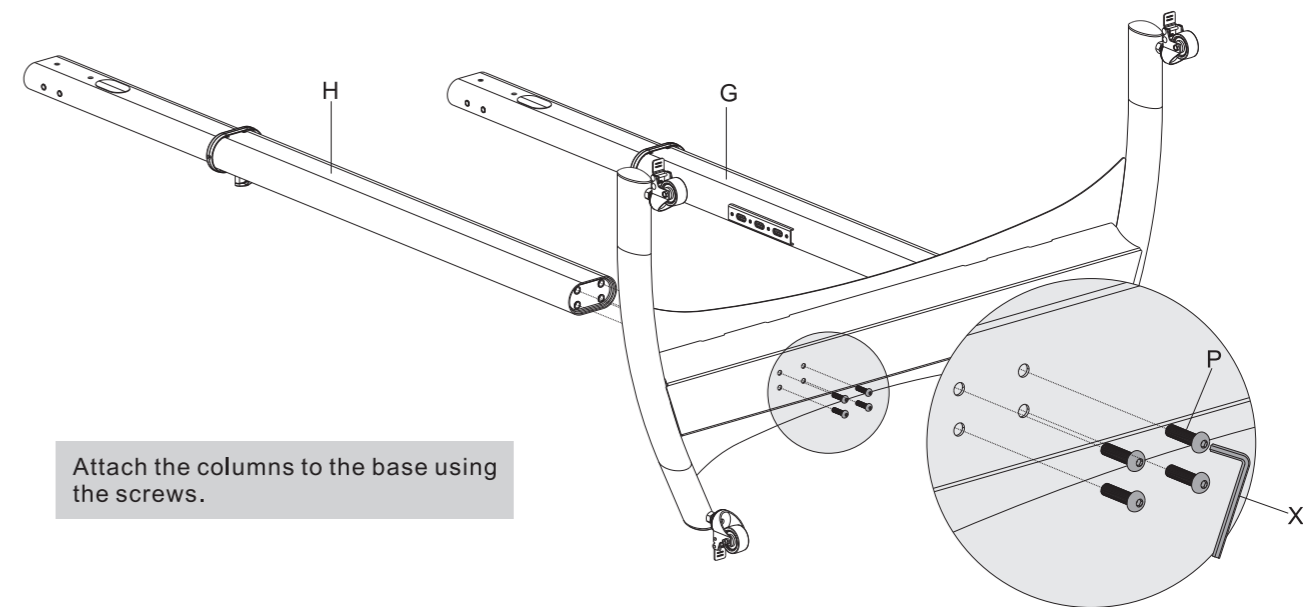
**Note:** Each caster can be adjusted independently for fine tuning. Slightly turn the nut to lower or raise the base.

## 2. Attaching the Columns to the Base



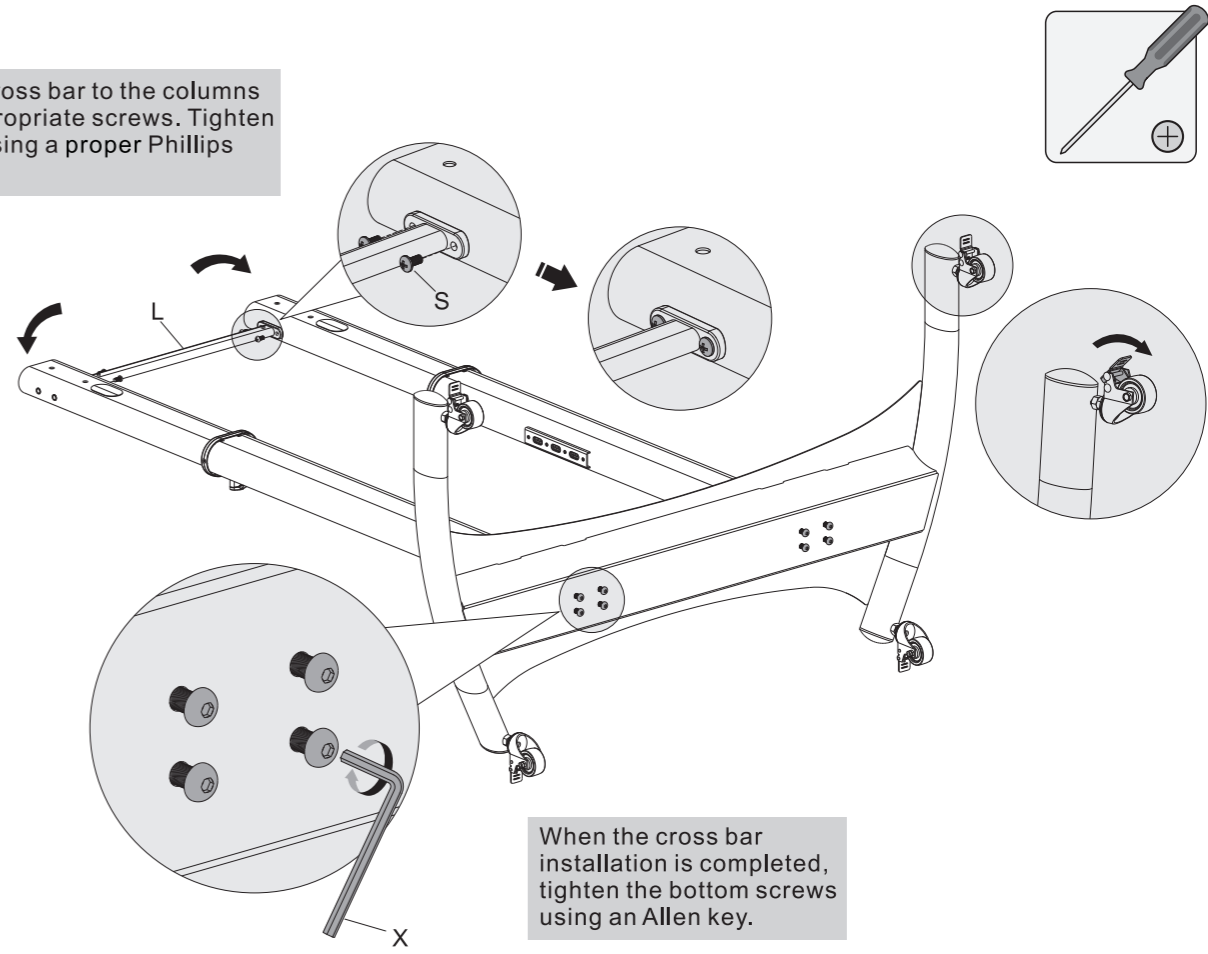
Pull the pin outwards and pull the inner column upwards at the same time, until the inner column is pulled to the desired height then release the pin to secure.

## 3. Installing the Cross Bar

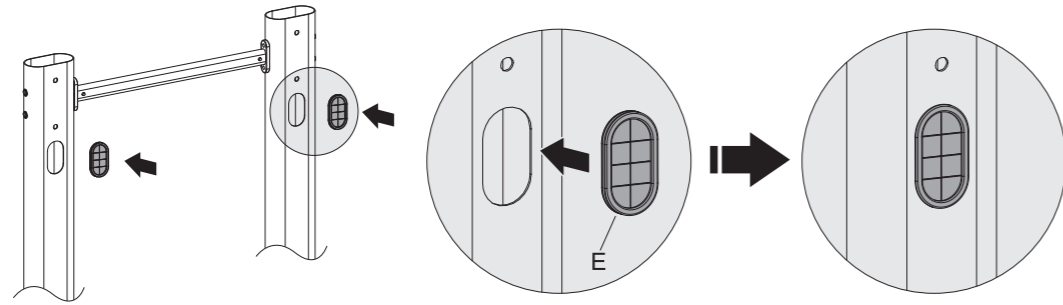


## 3. Installing the Cross Bar

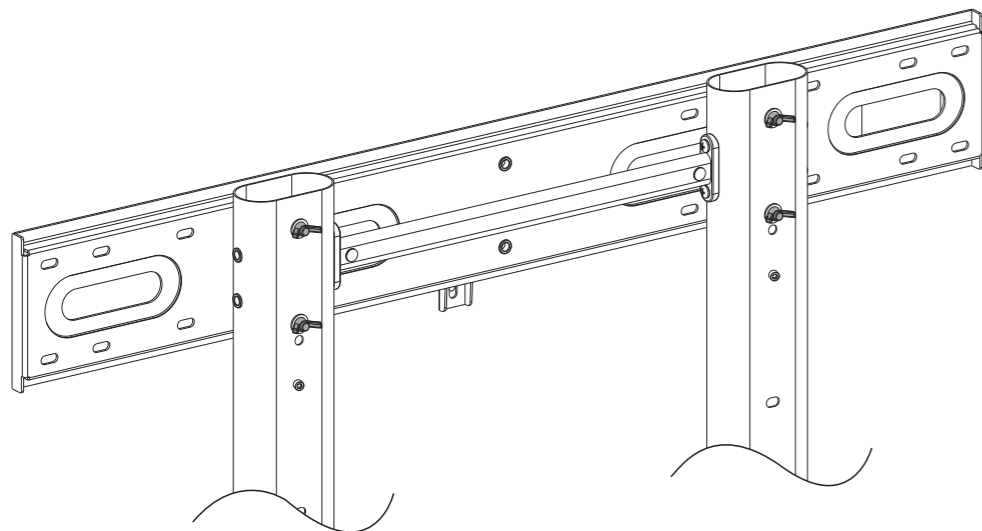
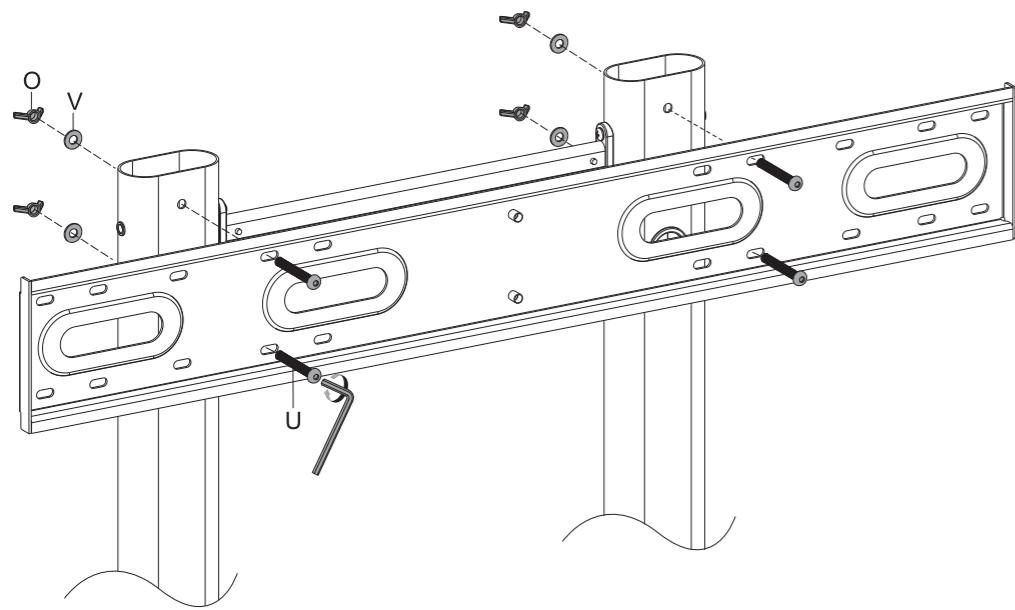
Attach the cross bar to the columns with the appropriate screws. Tighten all screws using a proper Phillips screwdriver.



#### 4. Installing the Cable Covers

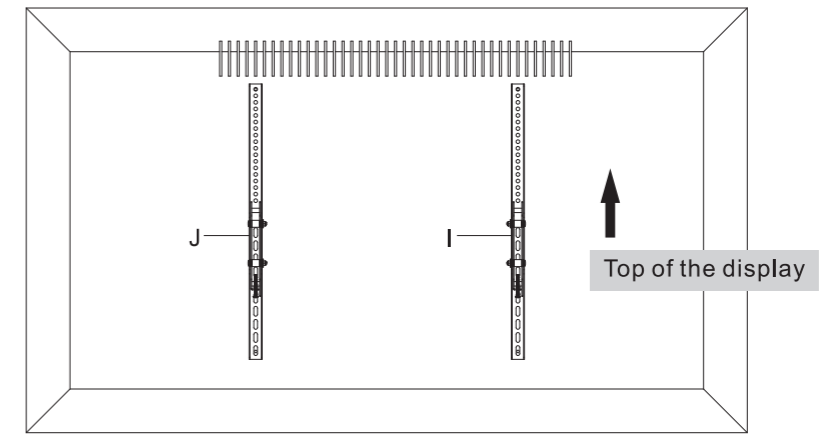


#### 5. Installing the Universal Plate

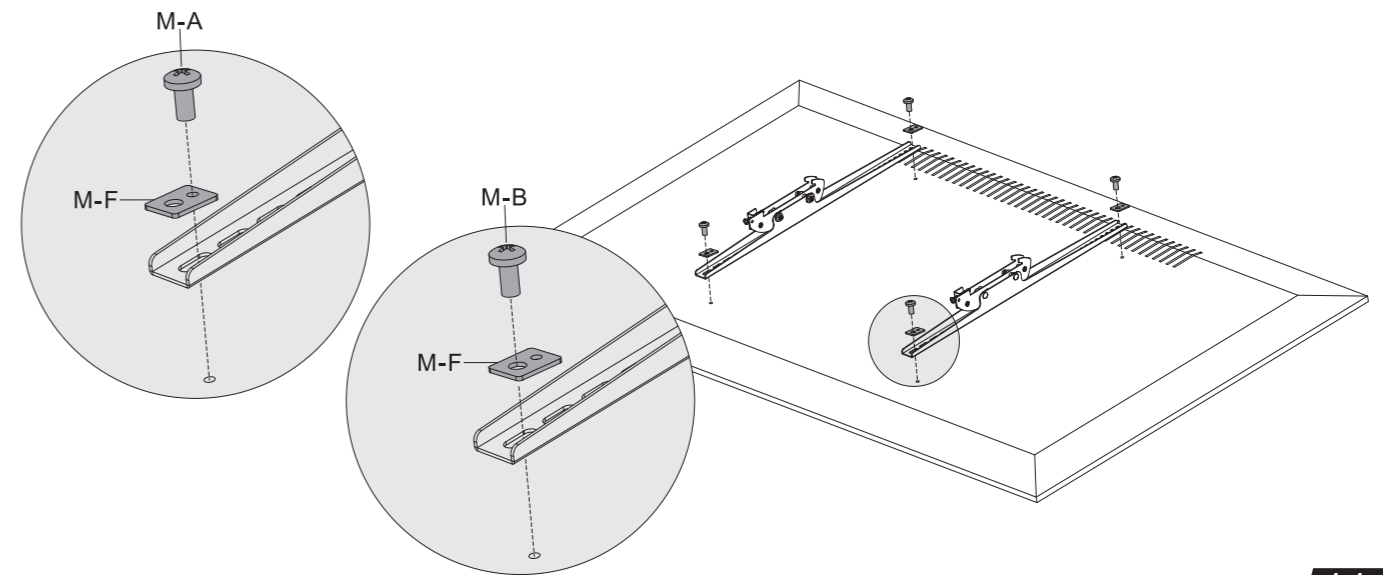
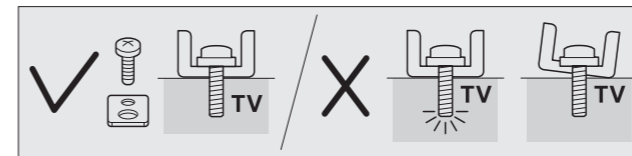


Attach the universal plate to the columns with the appropriate screws, washers and butterfly nuts. Tighten all screws and butterfly nuts.

#### 6. Installing the Adapter Brackets

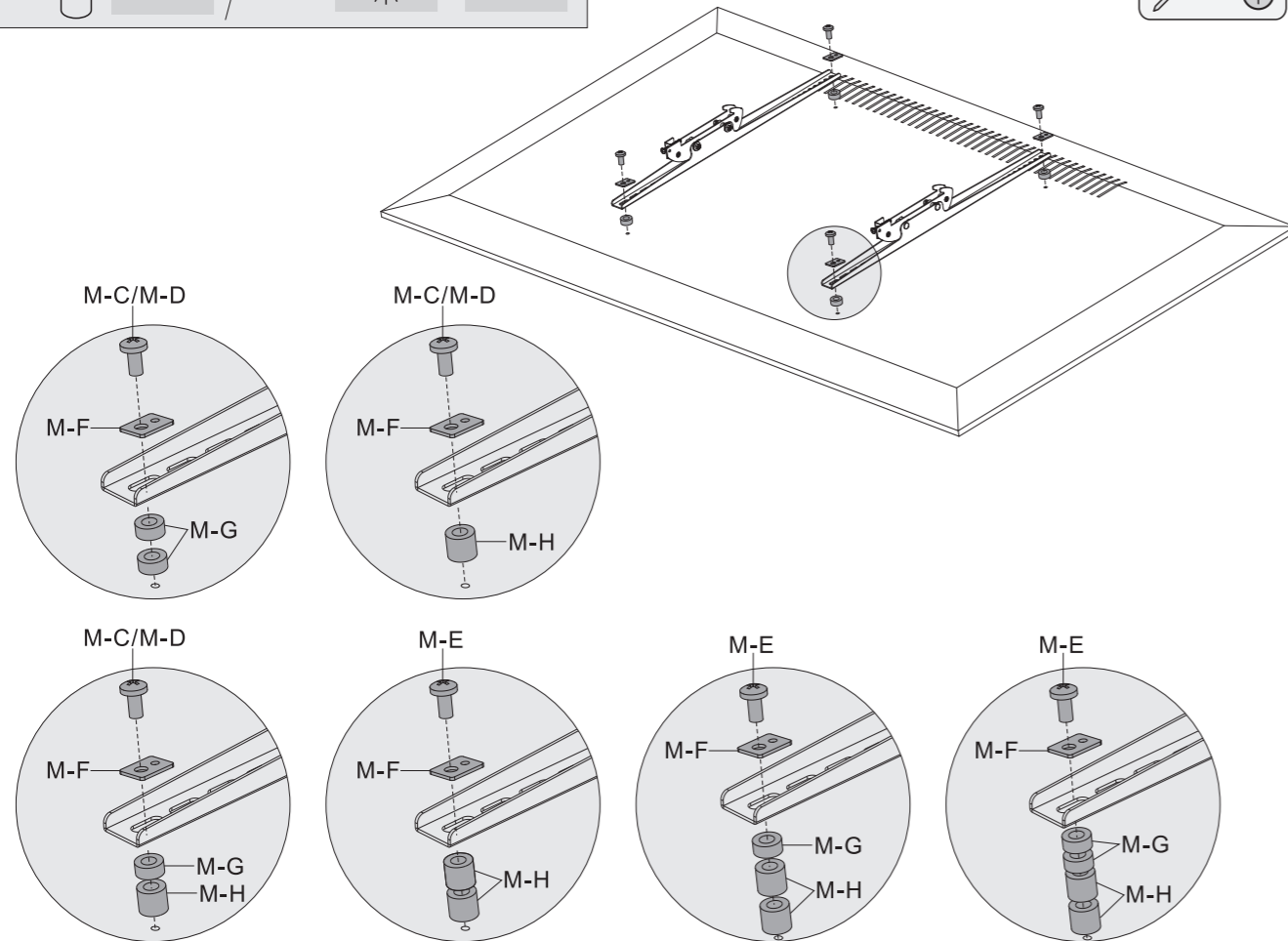
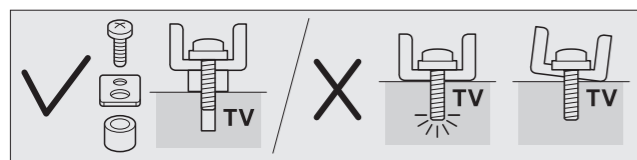


#### 6a For Flat Back Screens



<b>M-A</b>			<b>M-B</b>		
<b>M-F</b>					

## 6b. For Screens with Irregular Back



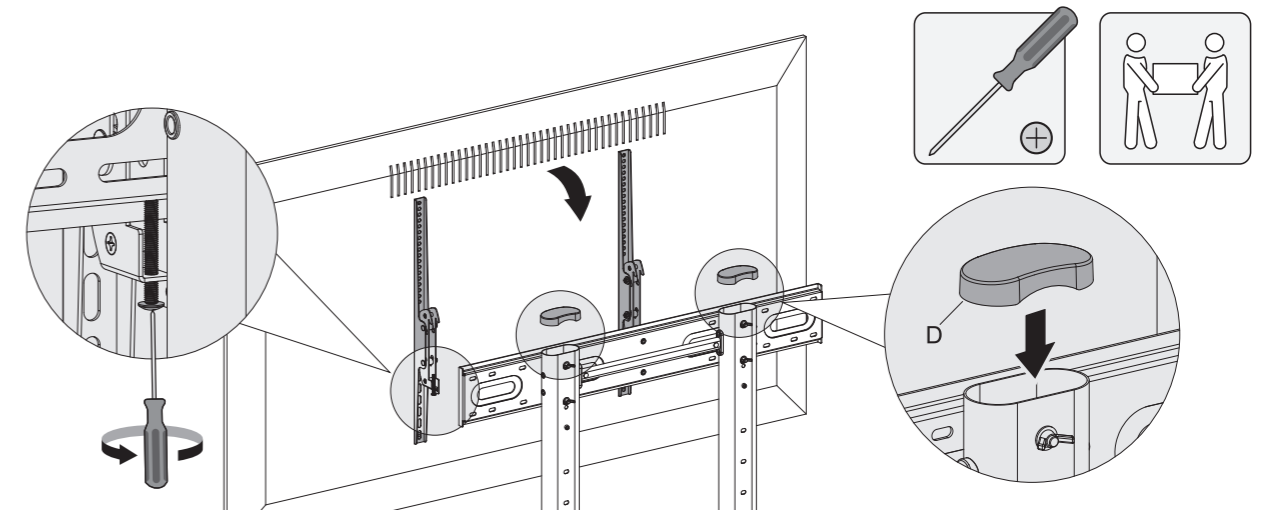
<b>M-C</b>		<b>M-D</b>	
<b>M-E</b>		<b>M-F</b>	
<b>M-G</b>		<b>M-H</b>	

1:1

**Note:** Choose the appropriate screws, washers and spacers (if necessary) according to the type of screen.  
 • Position the adapter brackets as close as possible to the center of the display.  
 • Screw the adapter brackets onto the display.

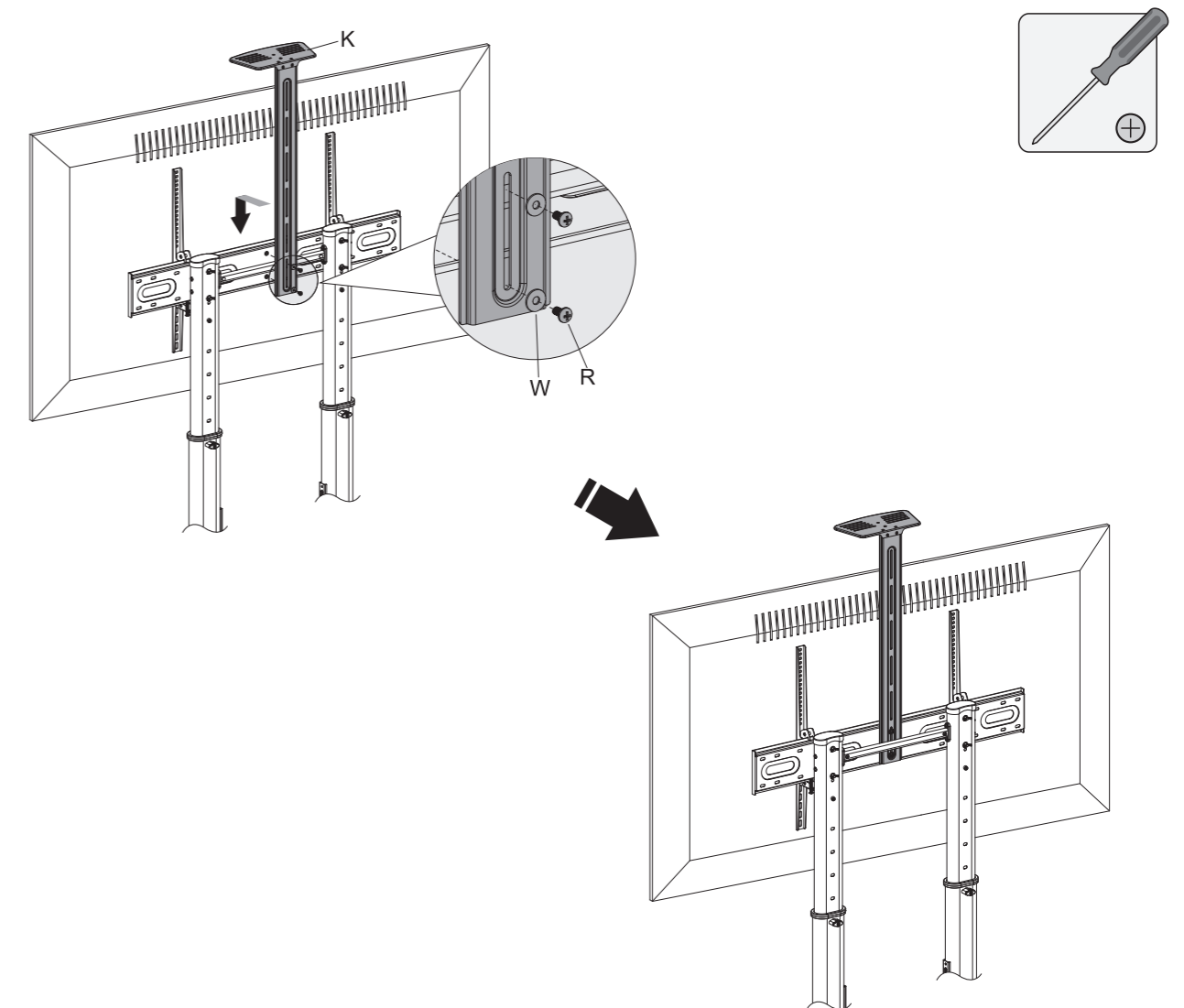
**Tighten all screws but do not over tighten.**

## 7. Hooking the Display onto the Universal Plate

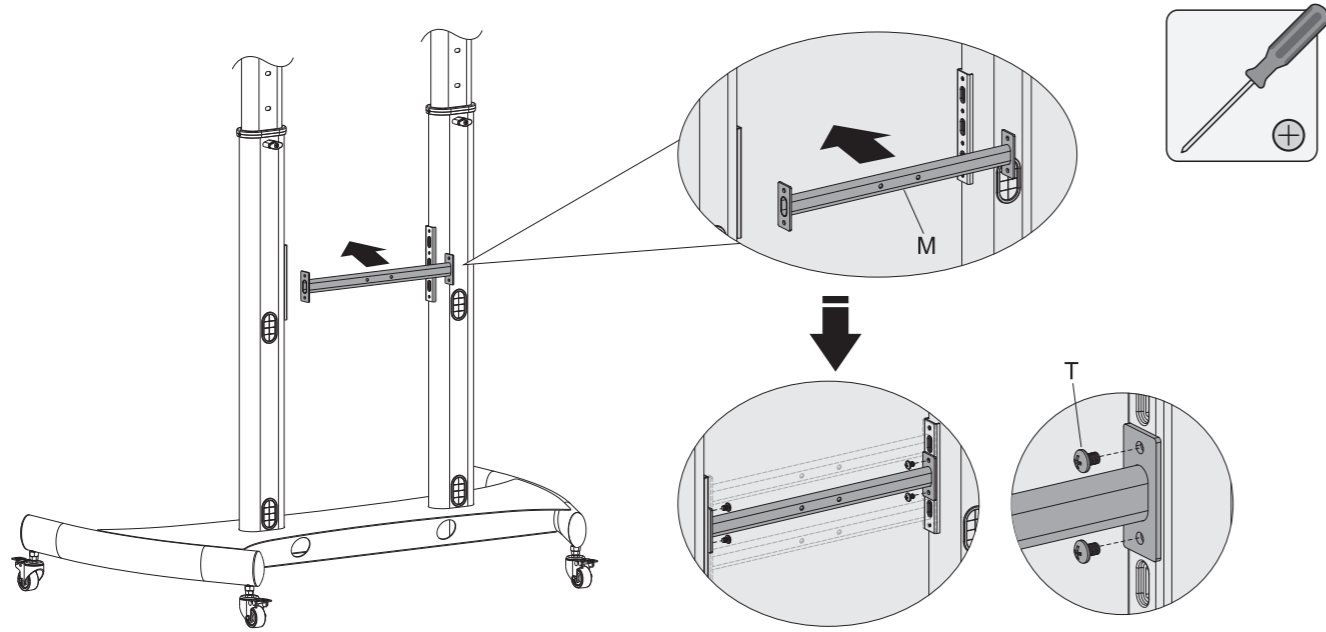


• Hook the display onto the universal plate.  
 • Tighten the bottom screws to secure them.  
**IMPORTANT:** Make sure the display is mounted correctly and the screws are tightened safely before releasing the display.

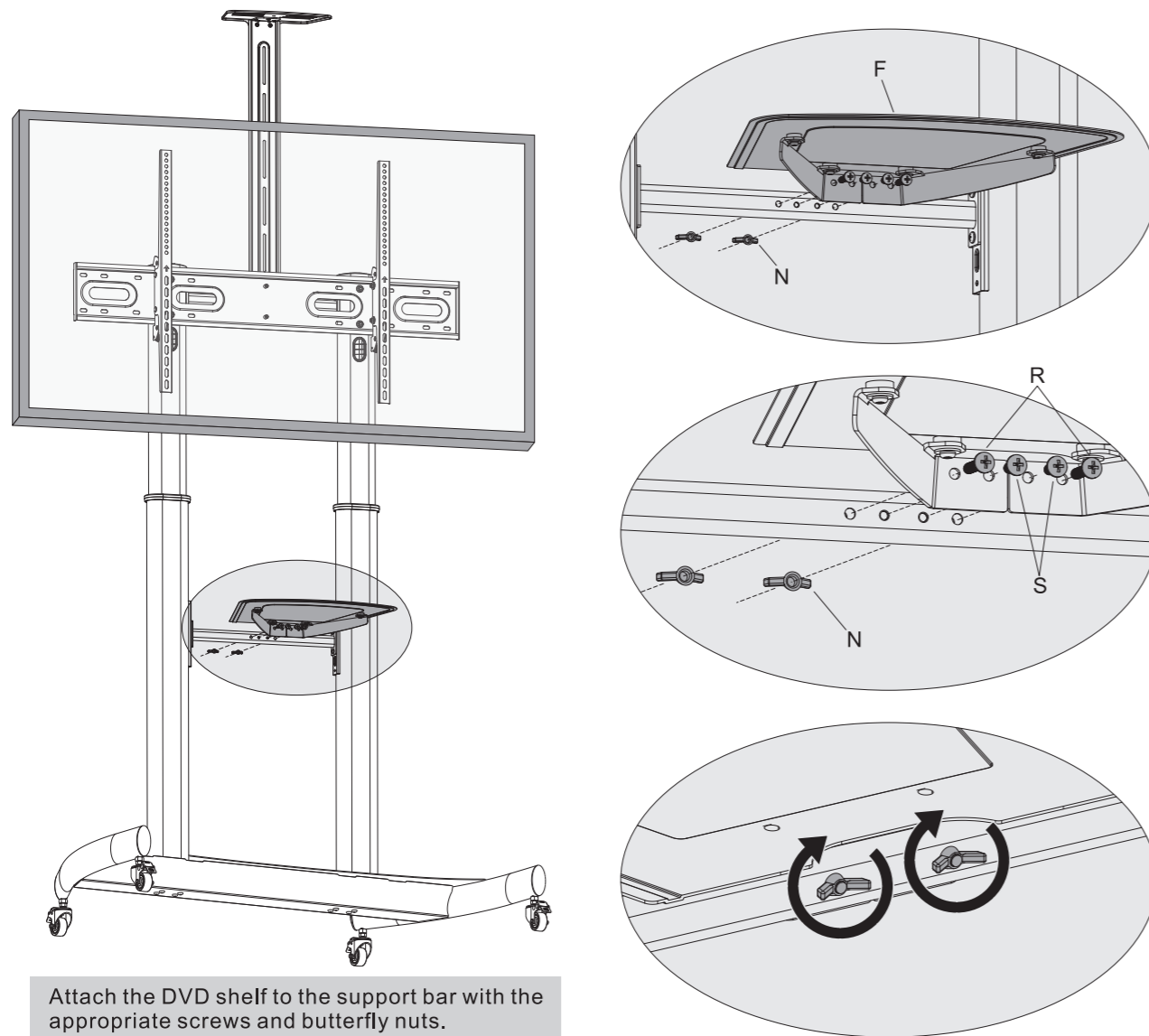
## 8. Installing the Camera Shelf



## 9. Installing the DVD Shelf

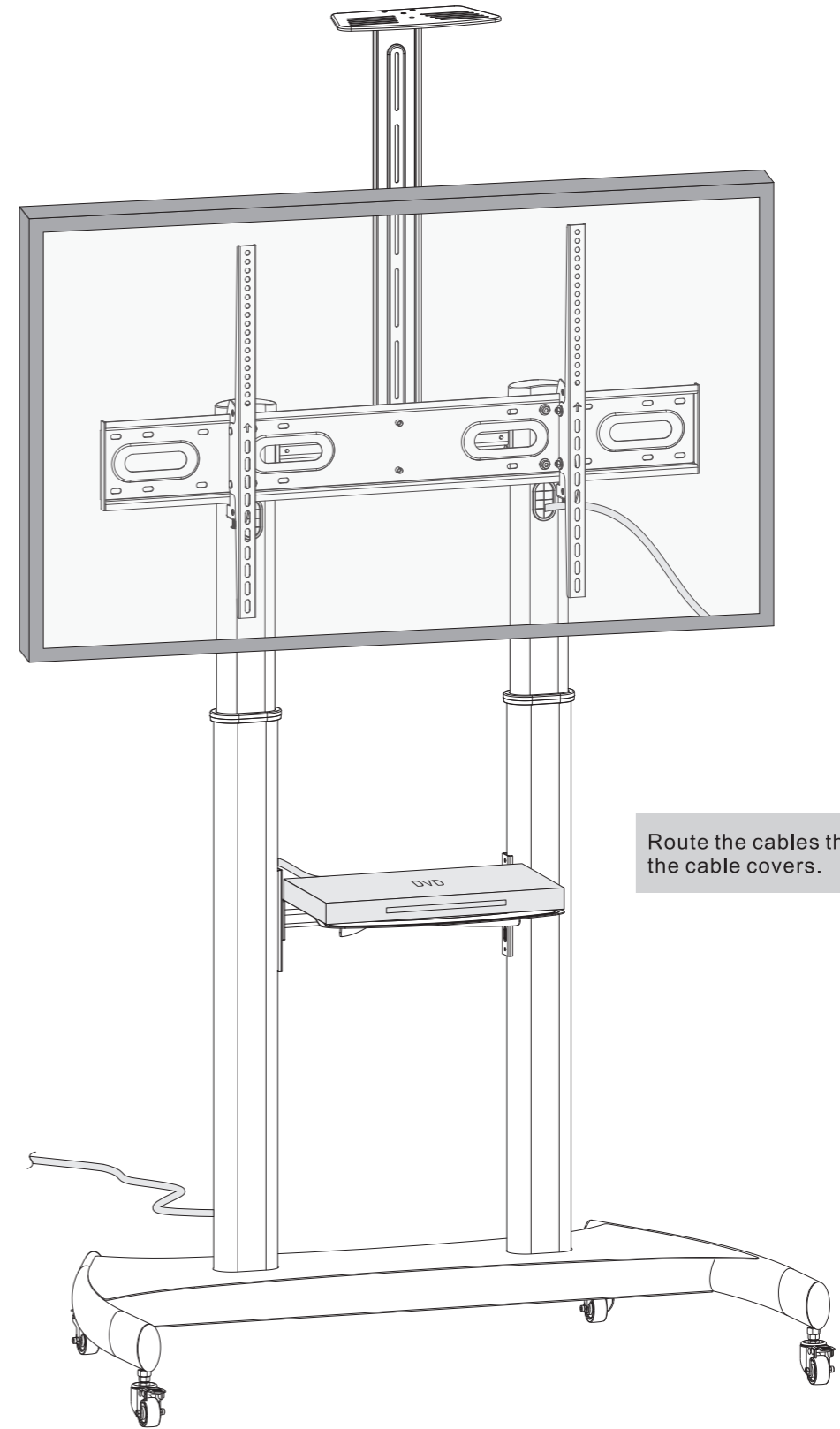


Install the support bar to the columns at the desired position and secure using the appropriate screws.



Attach the DVD shelf to the support bar with the appropriate screws and butterfly nuts. Tighten all screws and butterfly nuts to secure.

## 10. Cable Management



Route the cables through the cable covers.