

LC60(W)

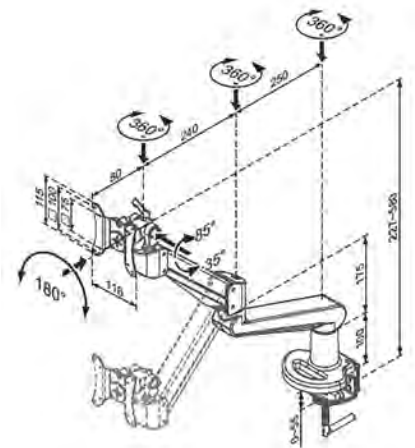
Monitor arm



Also available in white version

"Heavy Duty" with power

A stable monitor arm in well-known design and heavy duty gas lift, which is specially designed for large monitors. This model is similar in its basic function and design as model LC50, which has become very popular the market! Can also easily be supplemented with Twin Bar for dual mounting monitors.



Can also easily be supplemented with Twin Bar for dual mounting monitors.



SPECIFICATIONS

- Strong and robust
- Flexible for desired position
- Maximum arm length 570 mm
- VESA 75/100
- Load 8-19 kg.
- Part No.

438-LC60	Silver
438-LC60W	White
- Accessories

438-LC62	Silver
438-LC62W	White
- Twin-bar Duo Monitor Bridge
- Monitor bracket max c/c 800 mm