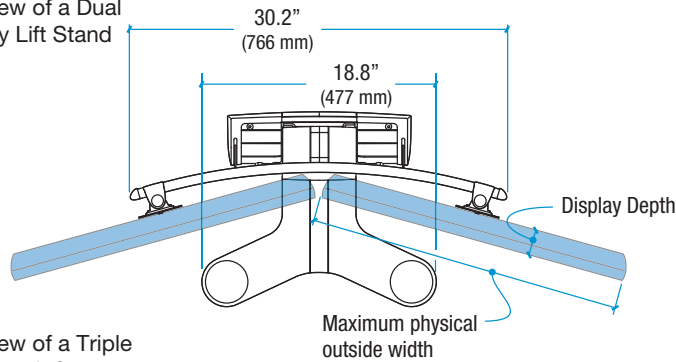


Dual and Triple Lift Stands

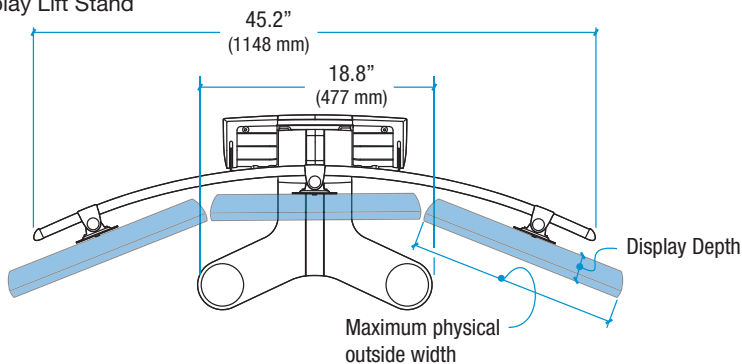
Top view of a Dual Display Lift Stand



Dual Mount Displays

Maximum Width	Depth
25.00" (635.0 mm)	2" (50.8 mm)
24.75" (628.7 mm)	3" (76.2 mm)
24.38" (619.3 mm)	4" (101.6 mm)
23.75" (603.3 mm)	5" (127.0 mm)

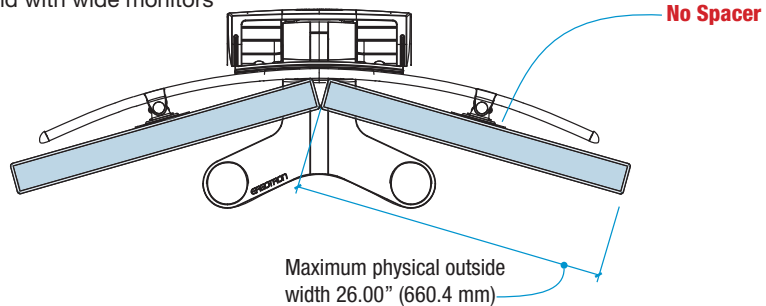
Top view of a Triple Display Lift Stand



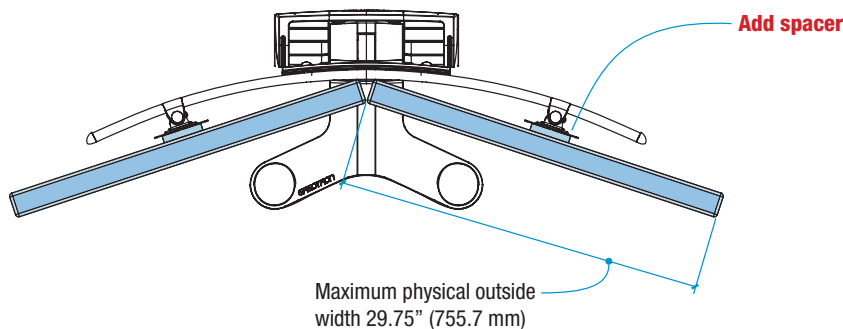
Triple Mount Displays

Maximum Width	Depth
20.25" (514.3 mm)	2" (50.8 mm)
19.75" (501.7 mm)	3" (76.2 mm)
19.25" (489.0 mm)	4" (101.6 mm)
19.00" (482.6 mm)	5" (127.0 mm)

Top view of a Triple Display Lift Stand with wide monitors



Top view of a Triple Display Lift Stand with wide monitors



© 2012 Ergotron, Inc. rev. 12/17/2018 DIM-065 Content is subject to change without notification

Americas Sales and Corporate Headquarters

St. Paul, MN USA
 (800) 888-8458
 +1-651-681-7600
 www.ergotron.com
 sales@ergotron.com

EMEA Sales

Amersfoort, The Netherlands
 +31 33 45 45 600
 www.ergotron.com
 info.eu@ergotron.com

APAC Sales

Tokyo, Japan
 www.ergotron.com
 japansupport@ergotron.com

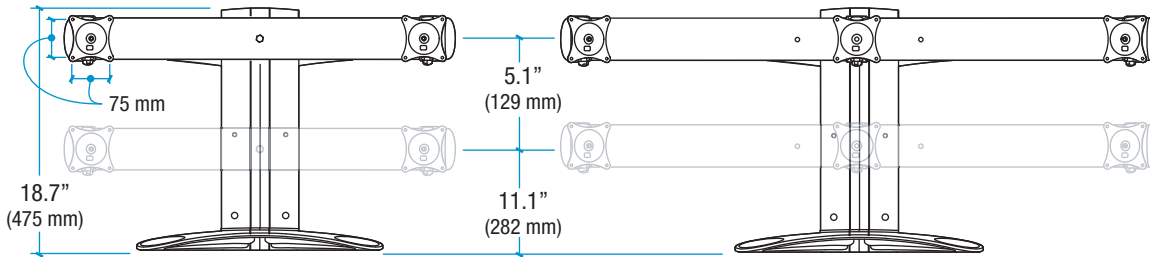
Worldwide OEM Sales

www.ergotron.com
 info.oem@ergotron.com

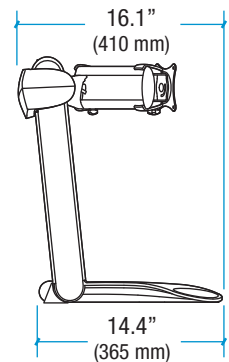


Dual and Triple Lift Stands

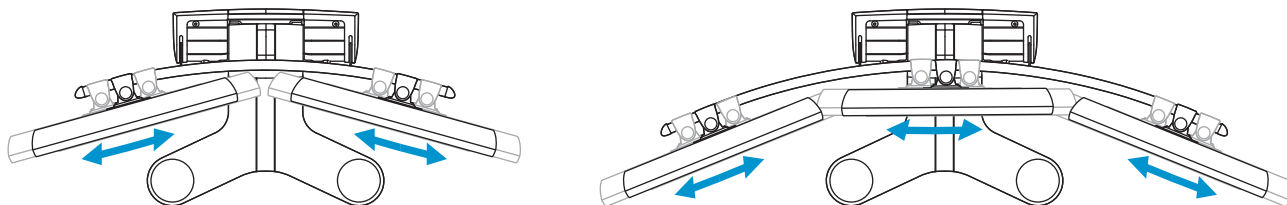
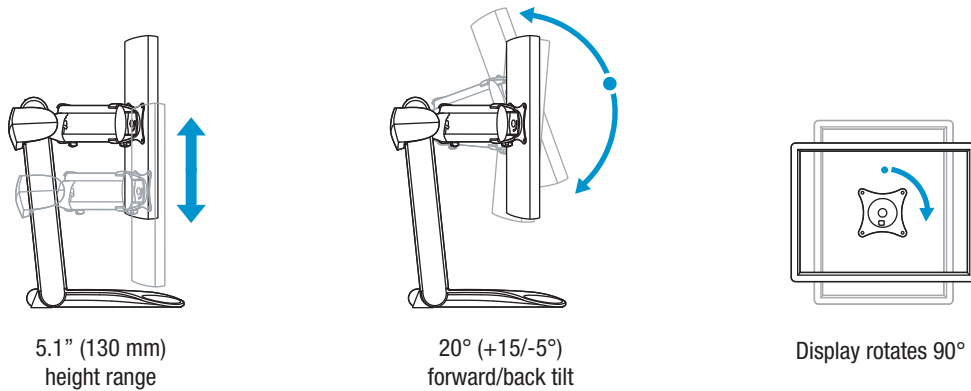
Front views



Side view



Range of Motion



Side to side adjustment accommodates different display sizes

© 2012 Ergotron, Inc. rev. 12/17/2018 DIM-065 Content is subject to change without notification

Americas Sales and Corporate Headquarters

St. Paul, MN USA
 (800) 888-8458
 +1-651-681-7600
www.ergotron.com
sales@ergotron.com

EMEA Sales

Amersfoort, The Netherlands
 +31 33 45 45 600
www.ergotron.com
info.eu@ergotron.com

APAC Sales

Tokyo, Japan
www.ergotron.com
japansupport@ergotron.com

Worldwide OEM Sales

www.ergotron.com
info.oem@ergotron.com

