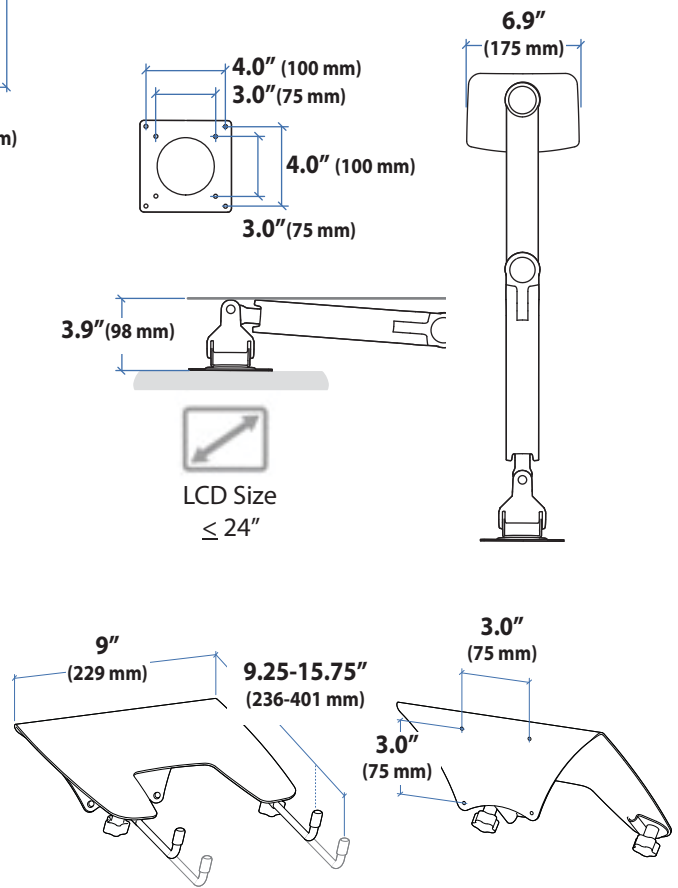
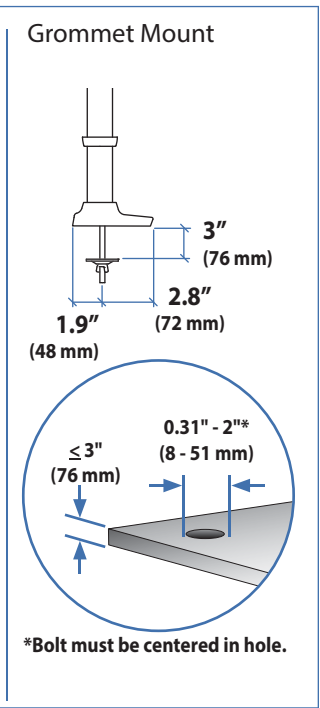
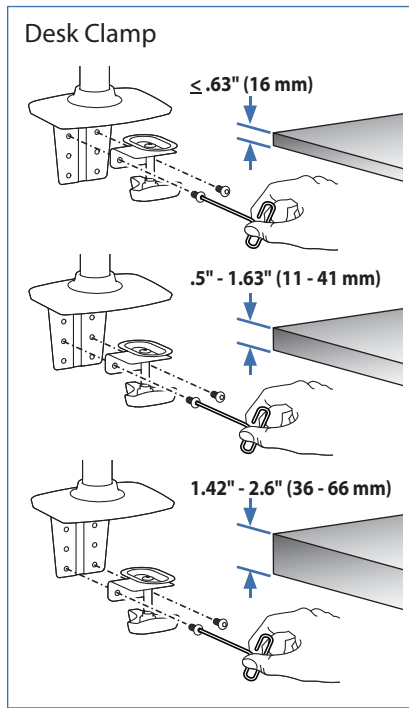
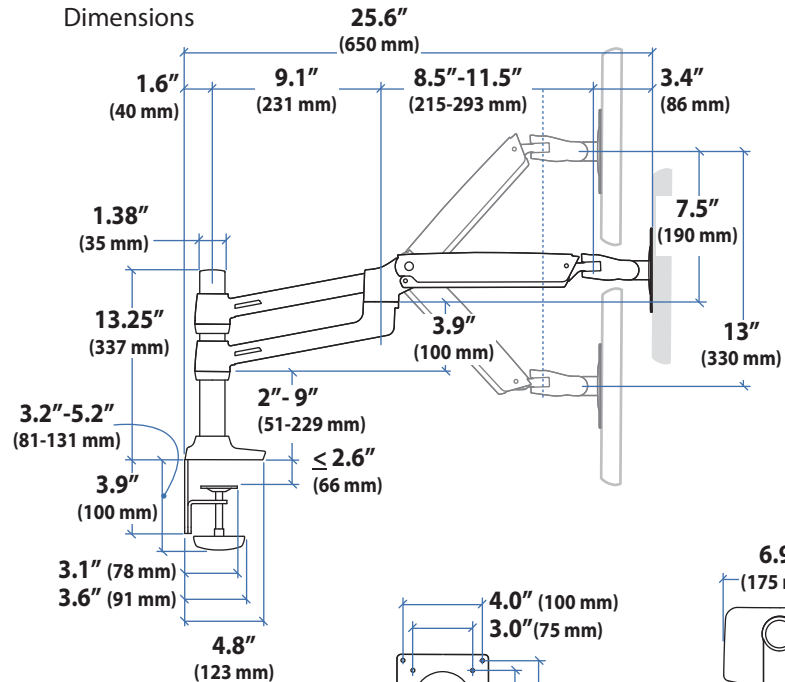
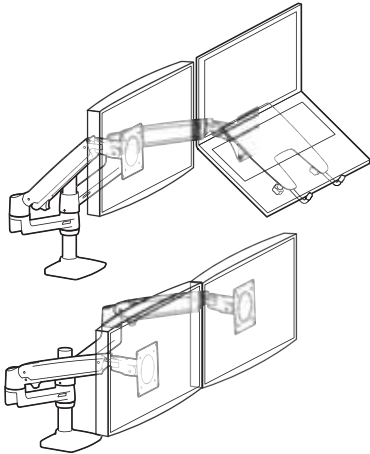


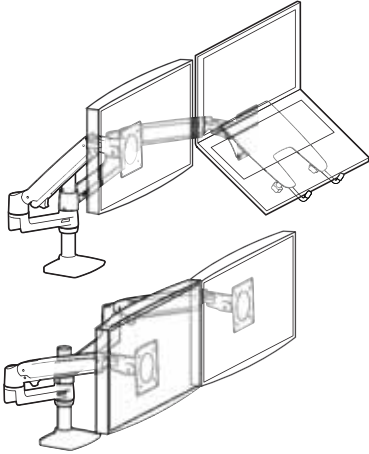
## LX Dual Stacking Arm



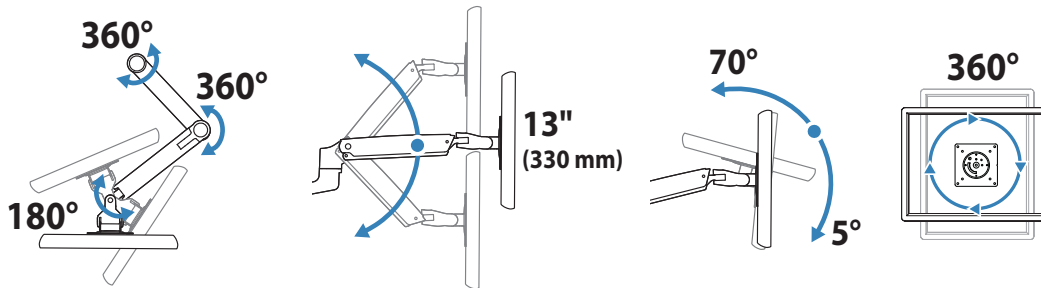
© 2016 Ergotron, Inc. rev. 09/24/2019 DIM-LXDLStack Content is subject to change without notification

Americas Sales and Corporate Headquarter	EMEA Sales	APAC Sales	Worldwide OEM Sales
St. Paul, MN USA (800) 888-8458 +1-651-681-7600 www.ergotron.com sales@ergotron.com	Amersfoort, The Netherlands +31 33 45 45 600 www.ergotron.com info.eu@ergotron.com	Tokyo, Japan www.ergotron.com apaccustomerservice@ergotron.com	www.ergotron.com info.oem@ergotron.com

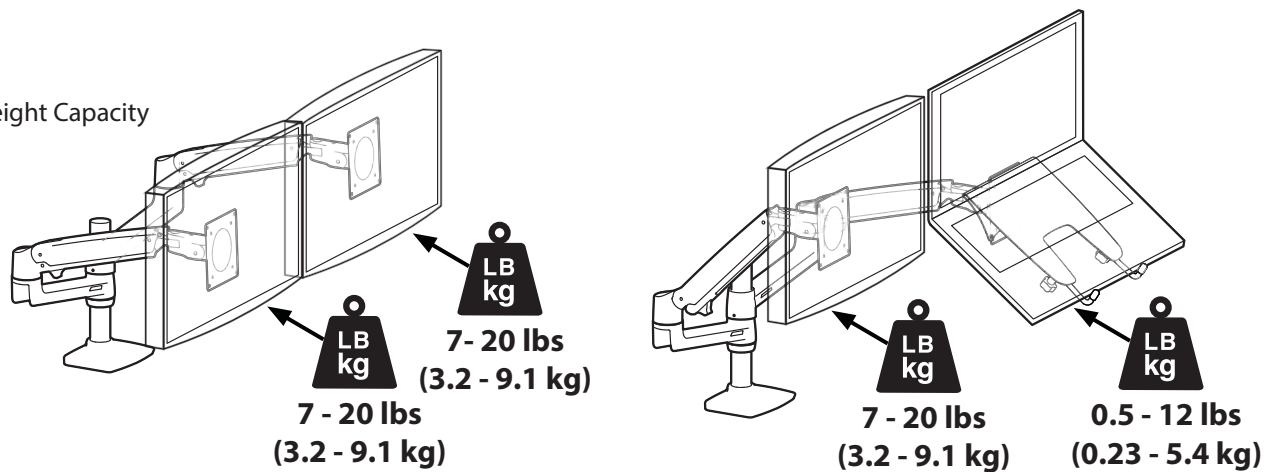
# LX Dual Stacking Arm



## Range of Motion



## Weight Capacity



Monitor depth greater than 2.5" (64 mm) may diminish capacity.  
Call Ergotron for more information.