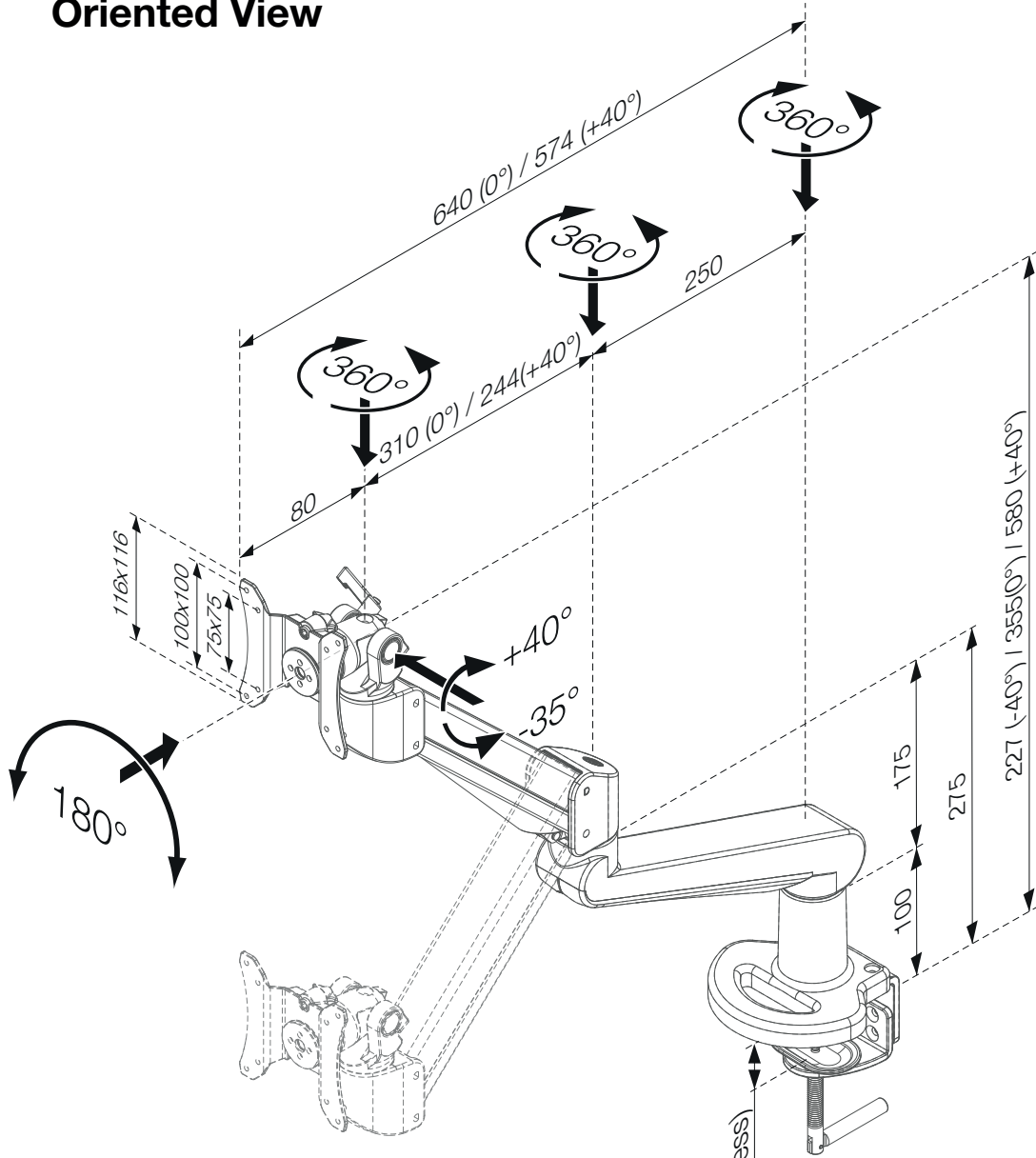


- 438-LC60
- 438-LC60W

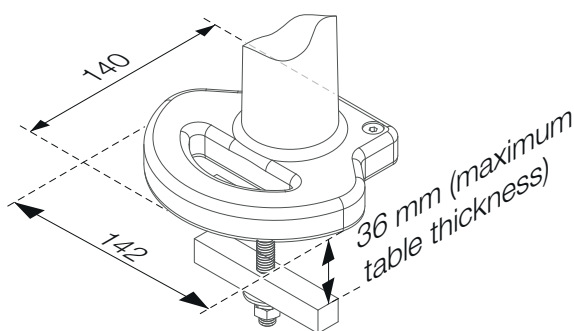


## Monitor Arm Twin STOCKHOLM, Gas Spring

### Oriented View



### Alternative grommet clamp



### Range for table thickness

- 8-86 mm (regular clamp)
- 0-36 mm (grommet clamp)