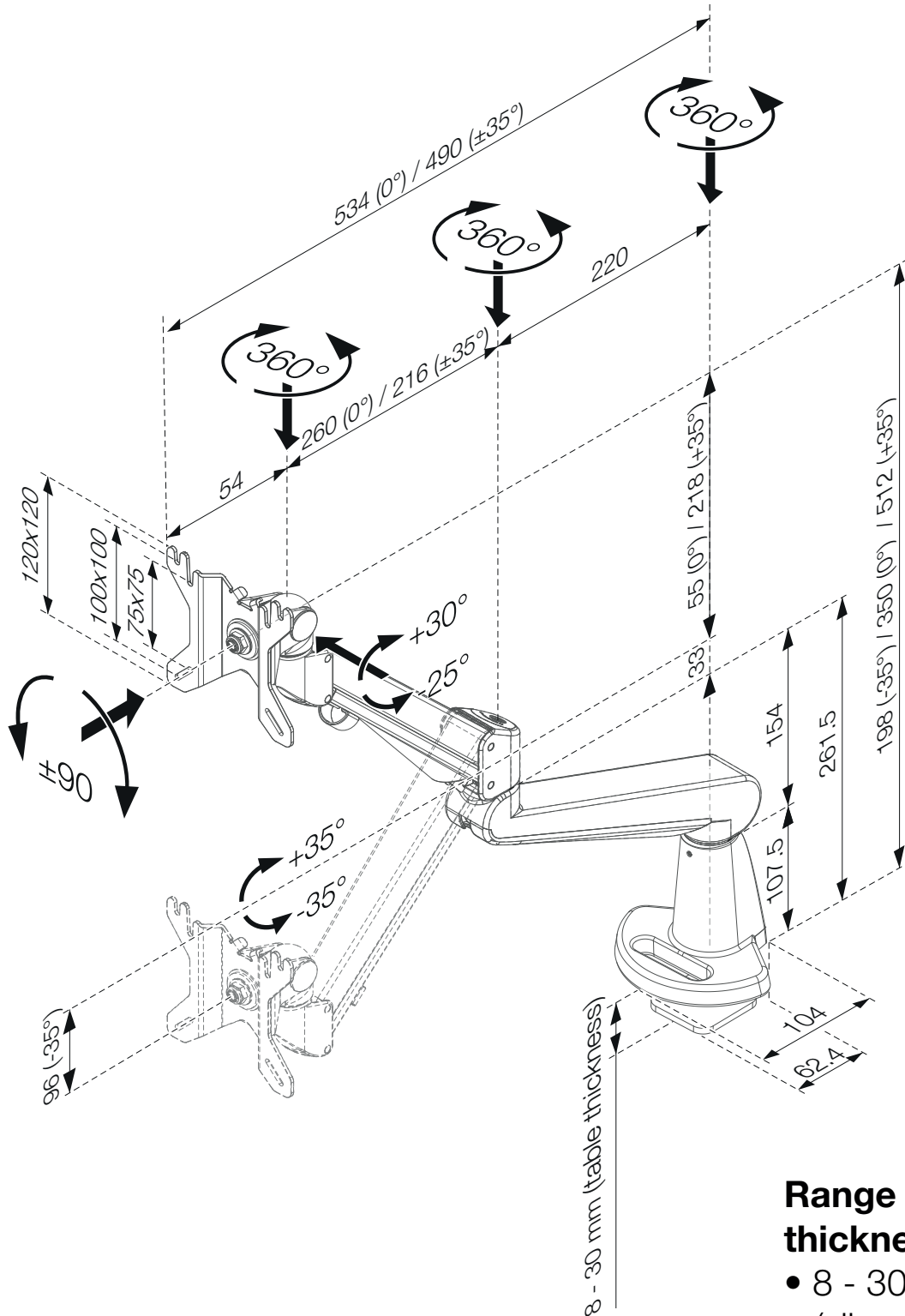




- 438-LC53
- 438-LC53W
- 438-LC53B

Monitor Arm STOCKHOLM 8-14 kg, Gas Spring

Oriented View



Range for table thickness

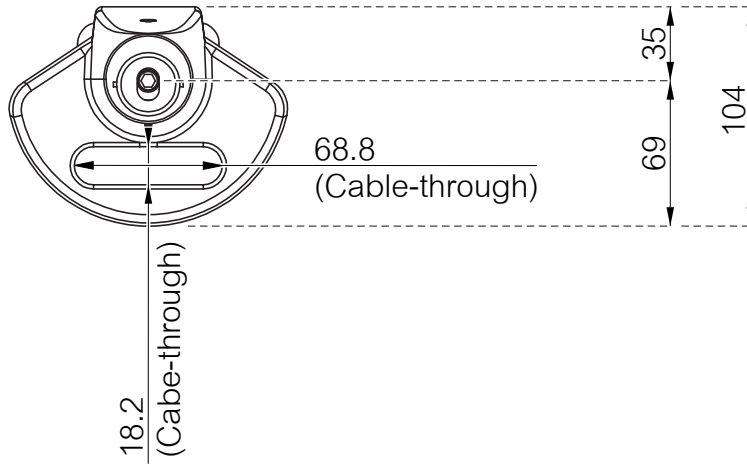
- 8 - 30 mm (slim clamp)



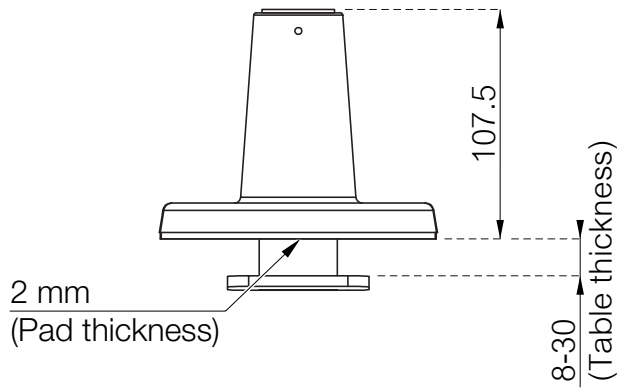
- 438-LC53
- 438-LC53W
- 438-LC53B

Monitor Arm STOCKHOLM 8-14 kg, Gas Spring

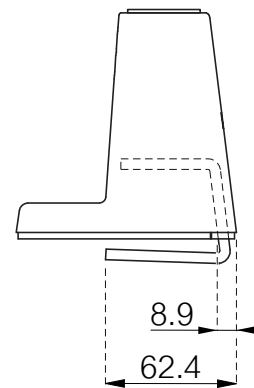
Oriented View



Front view



Side view



Bottom view

