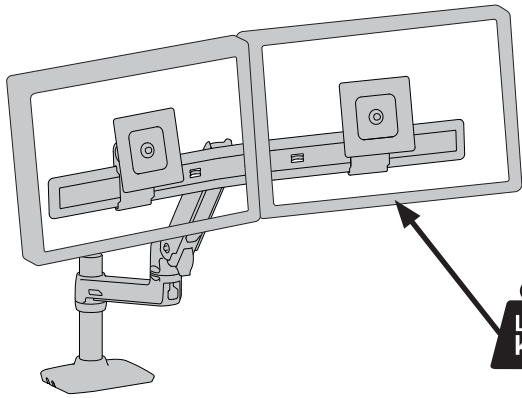
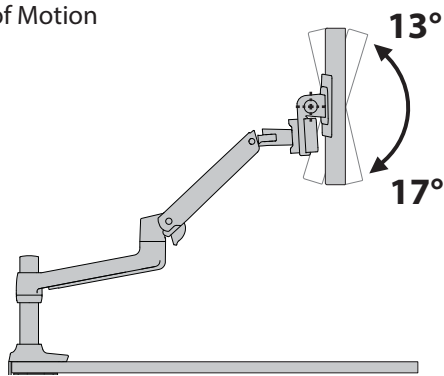


LX Desk Dual Direct Arm

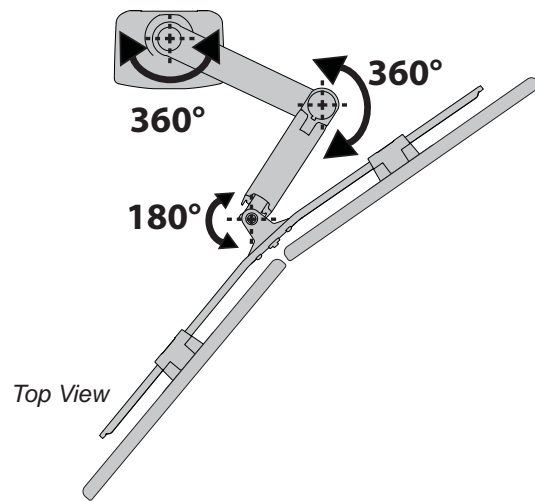


Weight Capacity per monitor:
 $\leq 11\text{lbs. (5 kg)}$

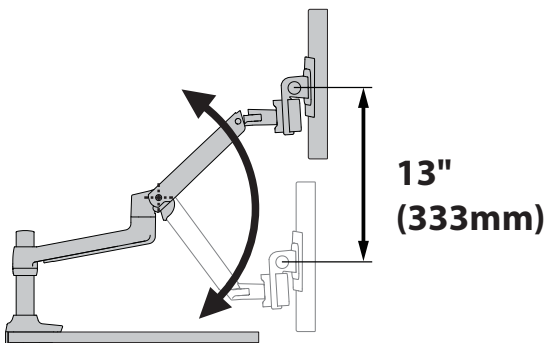
Range of Motion



Side View

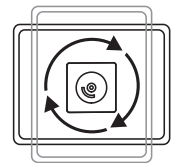
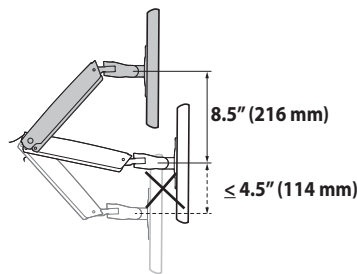


Top View



Side View

* The lower most range of motion for vertical lift may decrease up to 4.5" (114 mm) when arm is adjusted to hold over 20lbs (9 kgs).



Front View

Portrait/Landscape Rotation

Americas Sales and Corporate Headquarters

St. Paul, MN USA
 (800) 888-8458
 +1-651-681-7600
 www.ergotron.com
 sales@ergotron.com

EMEA Sales

Amersfoort, The Netherlands
 +31 33 45 45 600
 www.ergotron.com
 info.eu@ergotron.com

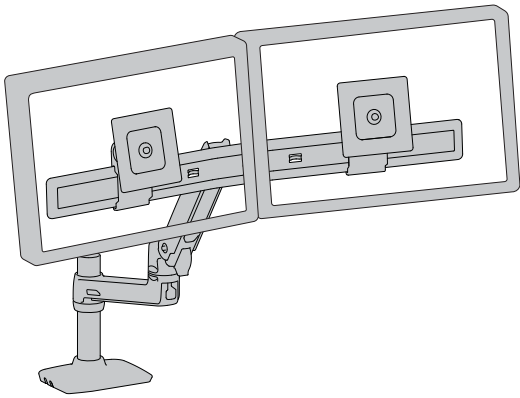
APAC Sales

Tokyo, Japan
 www.ergotron.com
 japansupport@ergotron.com

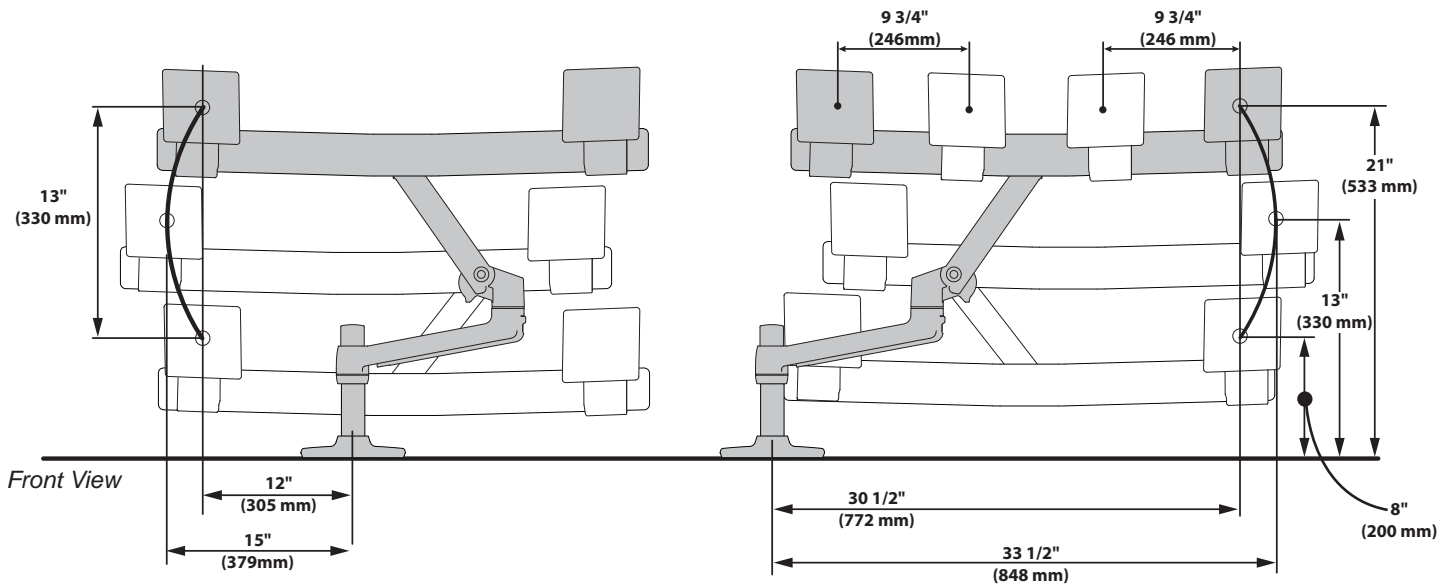
Worldwide OEM Sales

www.ergotron.com
 info.oem@ergotron.com

LX Desk Dual Direct Arm

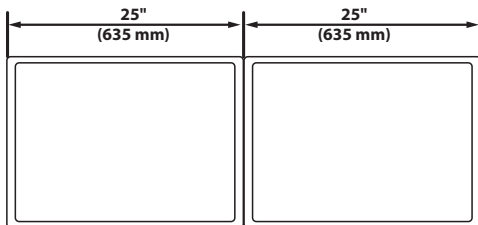


Dimensions

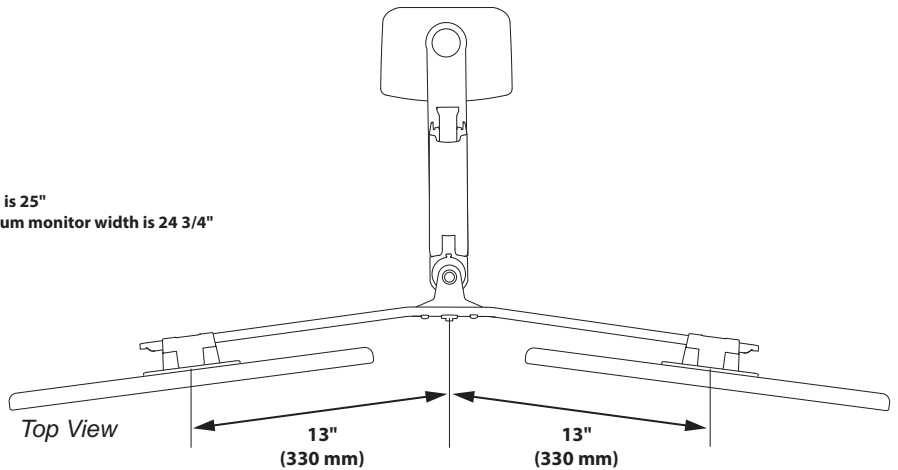


Max Monitor Size

If your monitor thickness is $\leq 1 \frac{3}{4}$ " then the maximum monitor width is 25"
 If your monitor thickness is between $1 \frac{3}{4}$ " and $2 \frac{1}{2}$ " then the maximum monitor width is $24 \frac{3}{4}$ "



Front View



Top View

© 2016 Ergotron, Inc. rev. 12/13/2018 DIM-LXDualBow Content is subject to change without notification

Americas Sales and Corporate Headquarters

St. Paul, MN USA
 (800) 888-8458
 +1-651-681-7600
 www.ergotron.com
 sales@ergotron.com

EMEA Sales

Amersfoort, The Netherlands
 +31 33 45 45 600
 www.ergotron.com
 info.eu@ergotron.com

APAC Sales

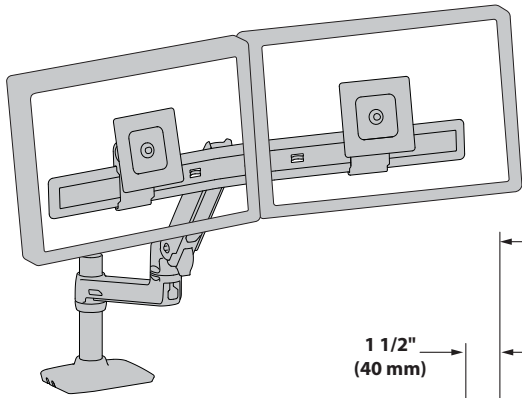
Tokyo, Japan
 www.ergotron.com
 japansupport@ergotron.com

Worldwide OEM Sales

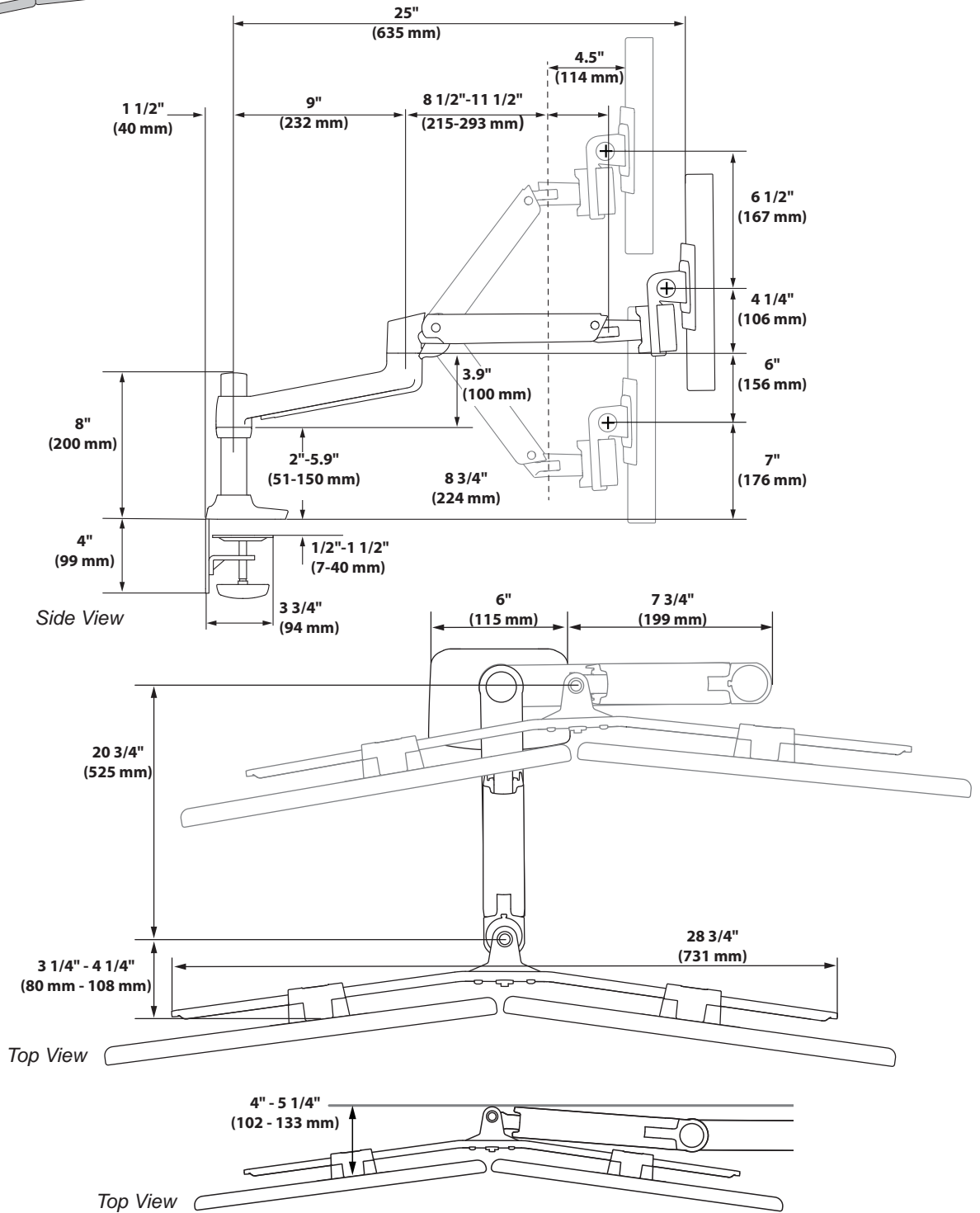
www.ergotron.com
 info.oem@ergotron.com



LX Desk Dual Direct Arm



Dimensions



© 2016 Ergotron, Inc. rev. 12/13/2018 DIM-LXDualBow Content is subject to change without notification

Americas Sales and Corporate Headquarters

St. Paul, MN USA
 (800) 888-8458
 +1-651-681-7600
 www.ergotron.com
 sales@ergotron.com

EMEA Sales

Amersfoort, The Netherlands
 +31 33 45 45 600
 www.ergotron.com
 info.eu@ergotron.com

APAC Sales

Tokyo, Japan
 www.ergotron.com
 japansupport@ergotron.com

Worldwide OEM Sales

www.ergotron.com
 info.oem@ergotron.com

