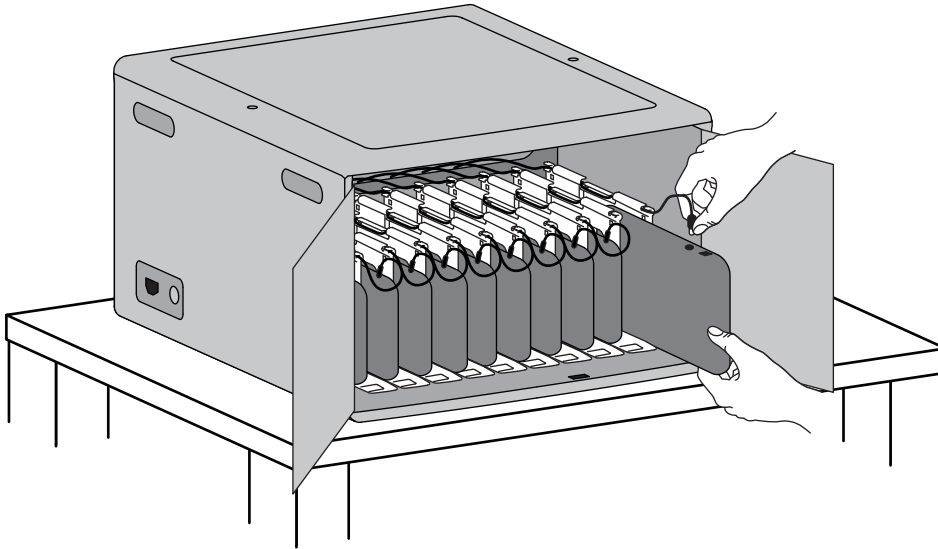
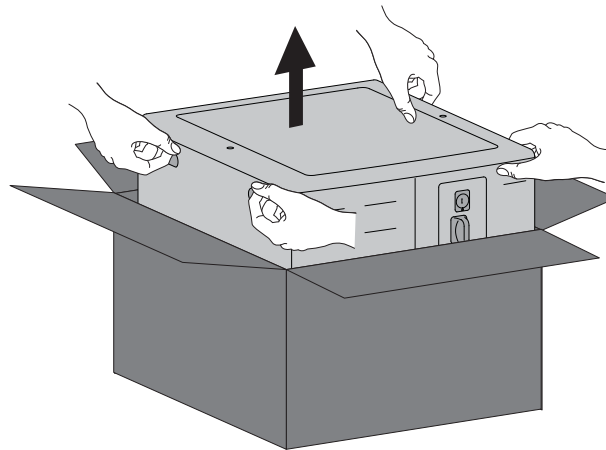


Zip12 Charging Desktop Cabinet





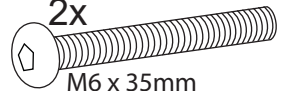

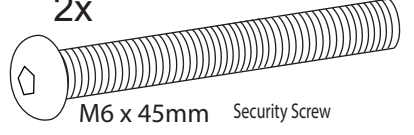
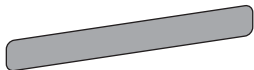
Includes PowerShuttle™ Technology



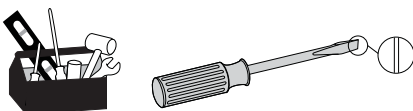
Requires 2 people to remove from box.



Components

	A	B	C	D	E
 1	2x 	4x  6.5mm ID 12mm OD 1mm TH	1x  6mm 5-sided Security Wrench	2x  M6 x 35mm Security Screw 1x 	2x  M6 x 45mm Security Screw 2x 

Tools Needed







English

For the latest User Installation Guide please visit: www.ergotron.com
 English, Español, Français, Deutsch, Nederlands, Italiano, Svenska, 日本語, 汉语

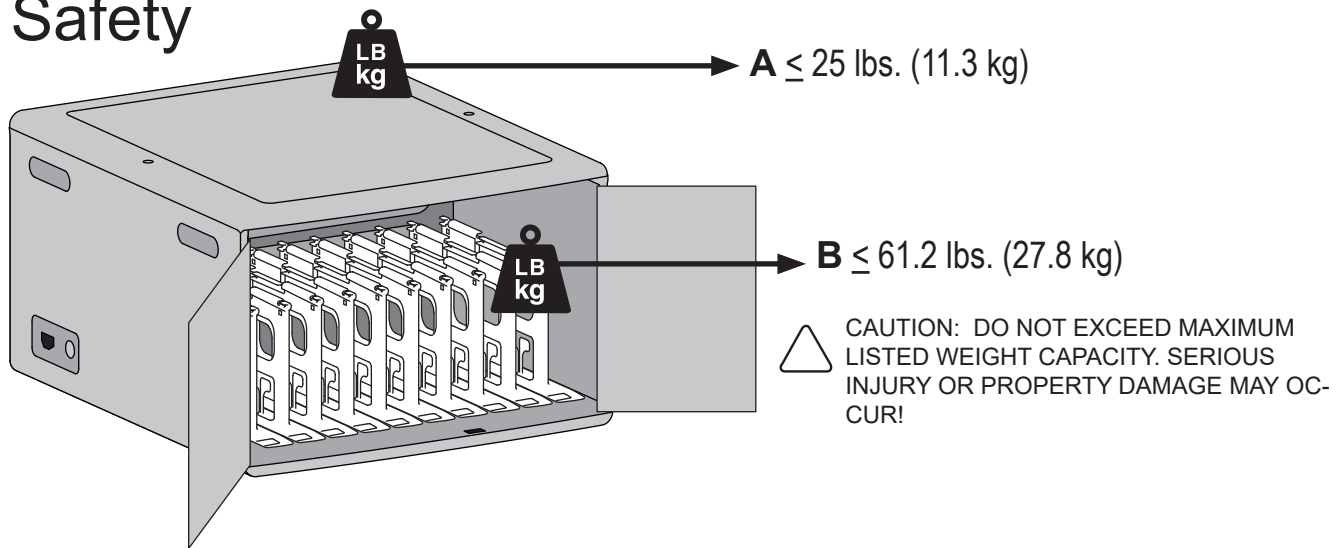
www.ergotron.com | USA: 1-800-888-8458 | Europe: +31 (0)33-45 45 600 | China: 400-120-3051 | Japan: japansupport@ergotron.com

Hazard Symbols Review

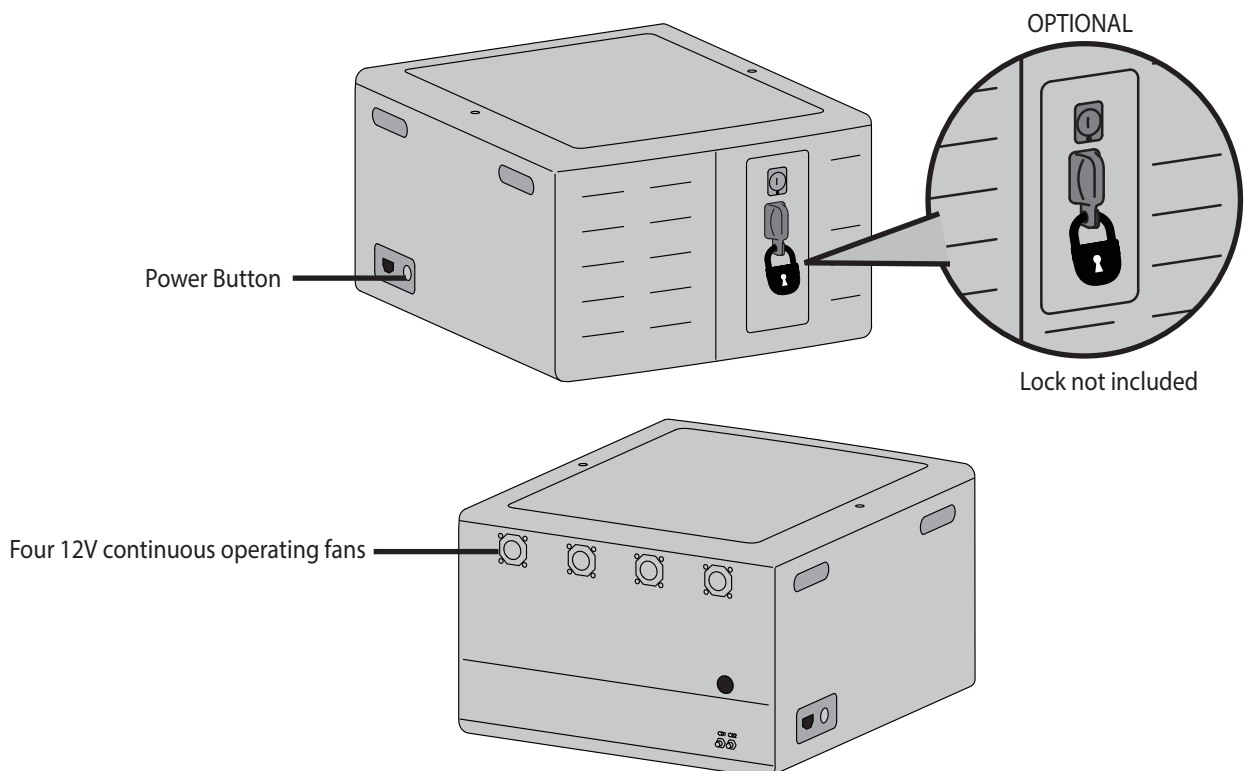
These symbols alert users of a safety condition that demands attention. All users should be able to recognize and understand the significance of the following Safety Hazards if encountered on the product or within the documentation. Children who are not able to recognize and respond appropriately to Safety Alerts should not use this product without adult supervision!

Symbol	Signal Word	Level of Hazard
	NOTE	A NOTE indicates important information that helps you make better use of this product.
	CAUTION	A CAUTION indicates either potential damage to hardware or loss of data and tells you how to avoid the problem.
	WARNING	A WARNING indicates either potential for property damage, personal injury, or death.
	ELECTRICAL	An Electrical indicates an impending electrical hazard which, if not avoided, may result in personal injury, fire and/or death.

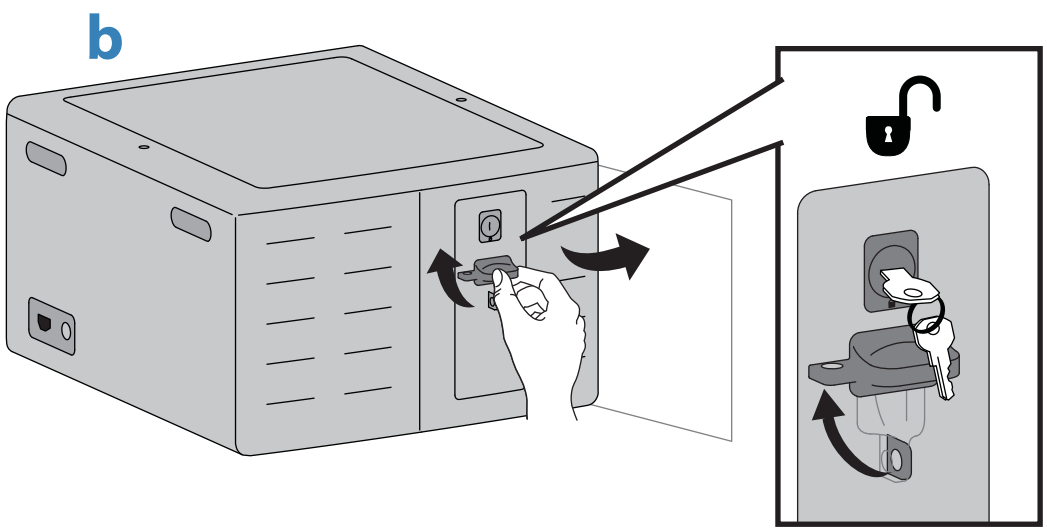
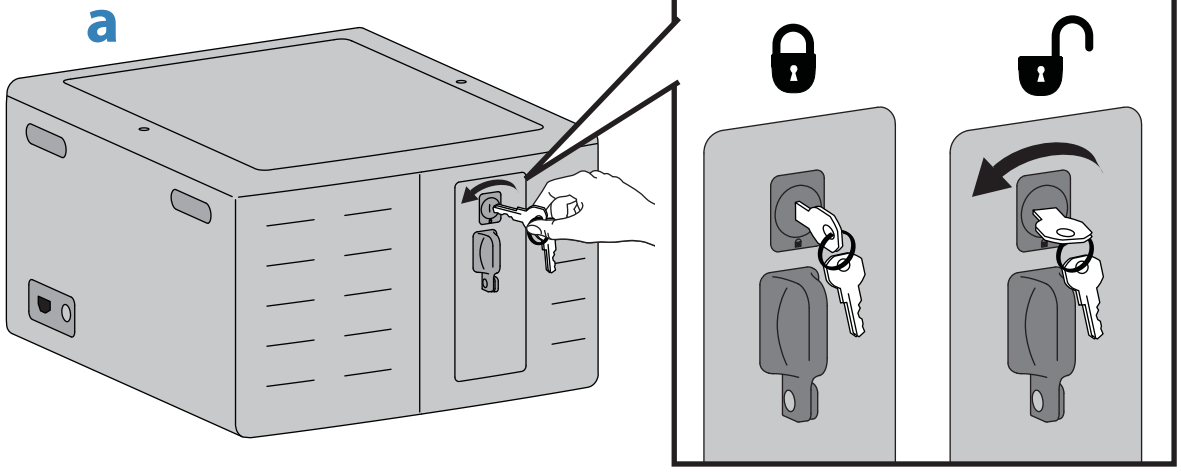
Safety



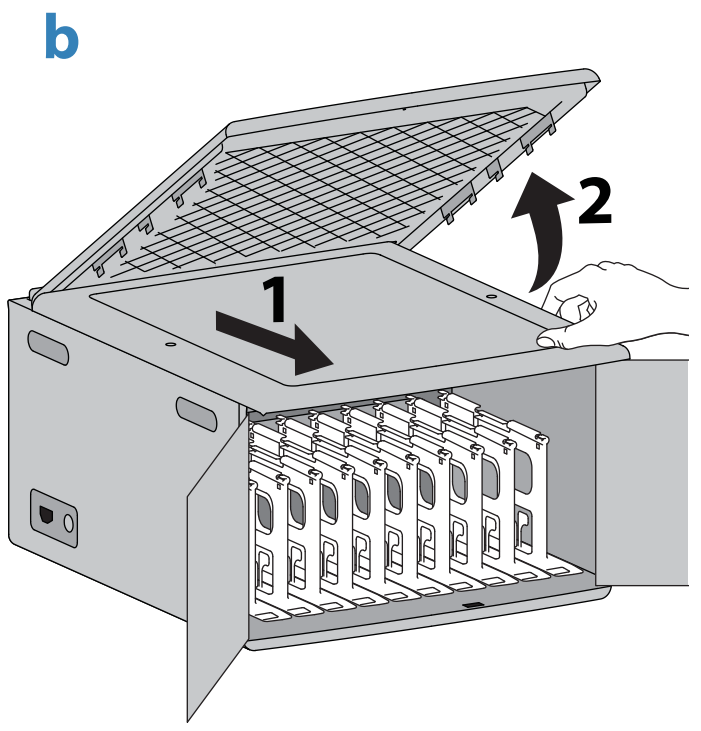
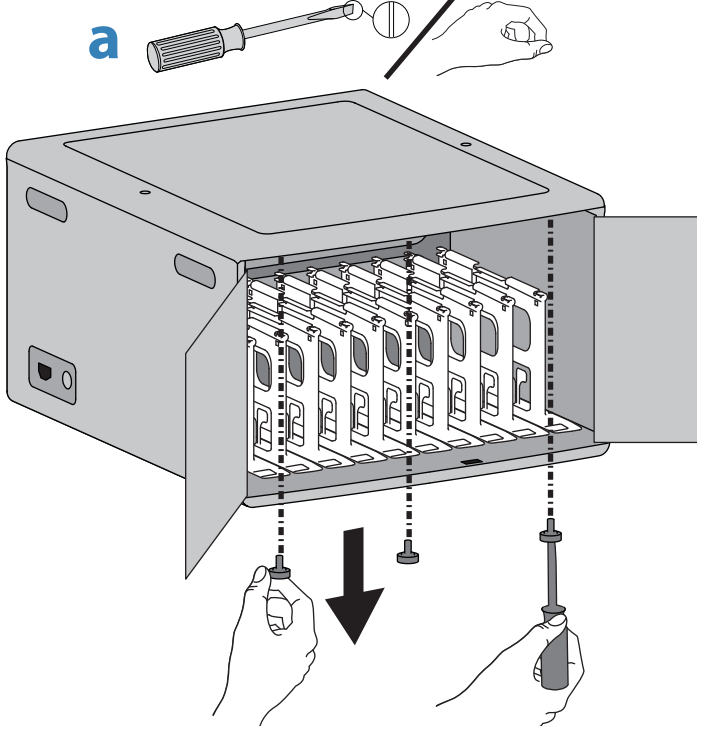
Features & Specifications



1 Open doors.



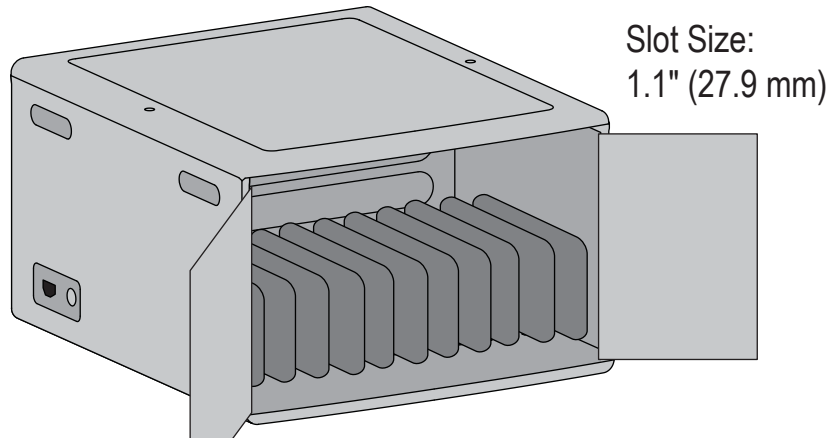
2 Remove top.



3 Choose configuration for number of devices.

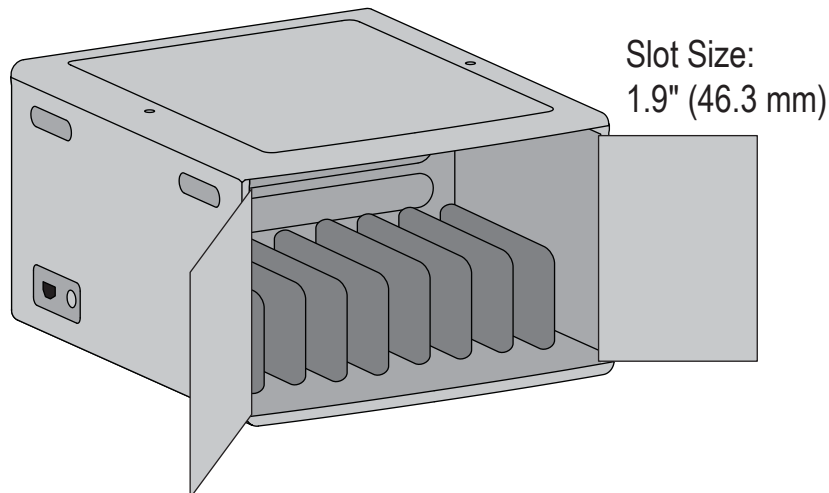
12x

Cart is already configured for this, please skip to page 6.

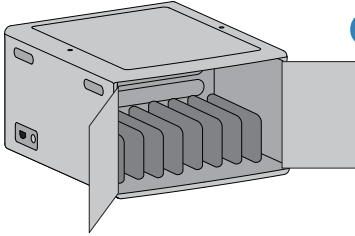


8x

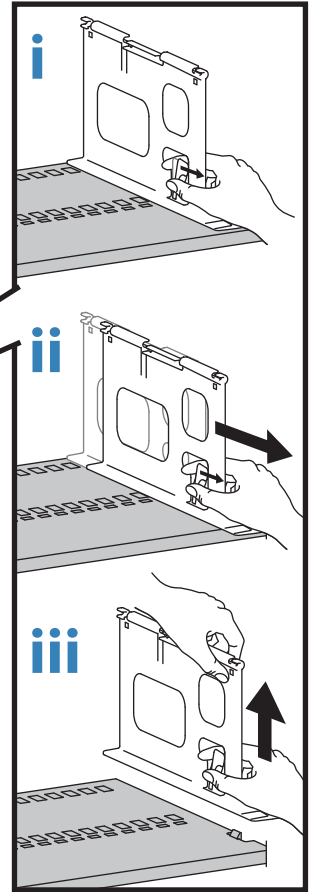
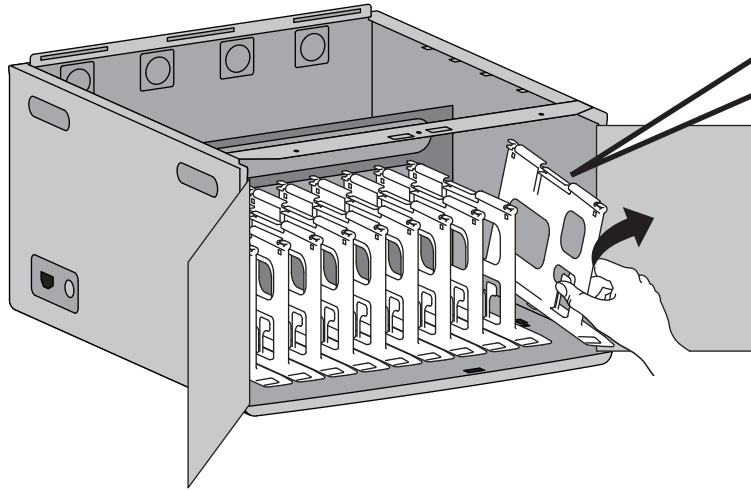
Dividers will need to be reconfigured for this set up, please see instructions on page 5.



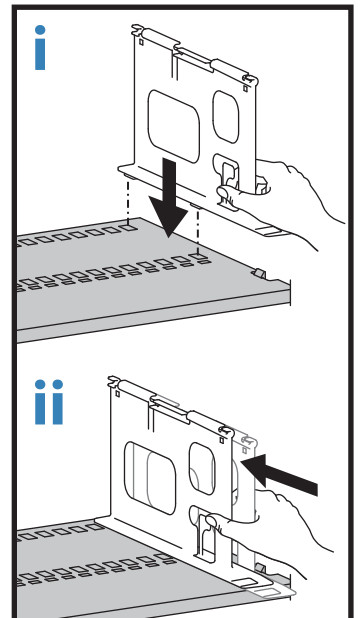
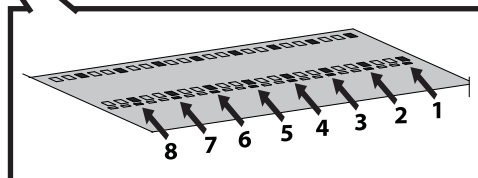
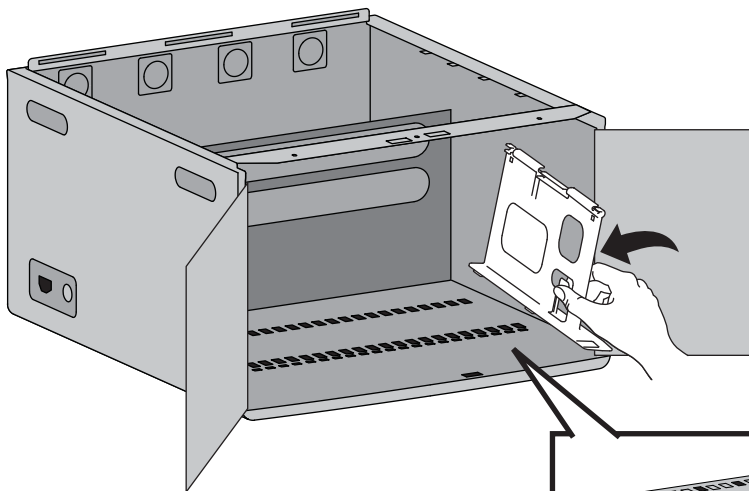
8x



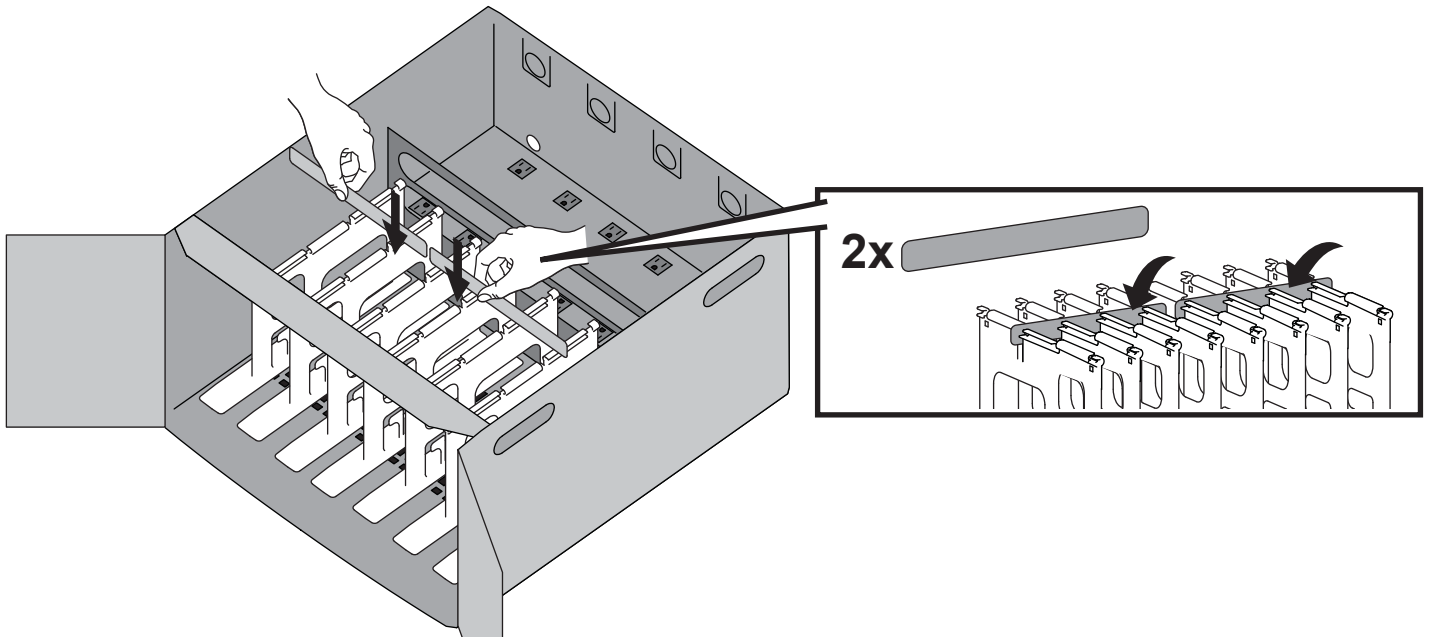
- a** To configure for 8 devices, remove all dividers.
- i. Pull lever towards you.
 - ii. With lever pulled, slide divider towards you.
 - iii. Lift up and off.



- b** To configure for 8 devices, reattach dividers.
- i. Insert tabs on bottom of divider into designated holes on shelf.
 - ii. Press down and slide divider away from you to lock into place.



4 Attach spacers if your devices are $\leq 9"$ (229 mm).

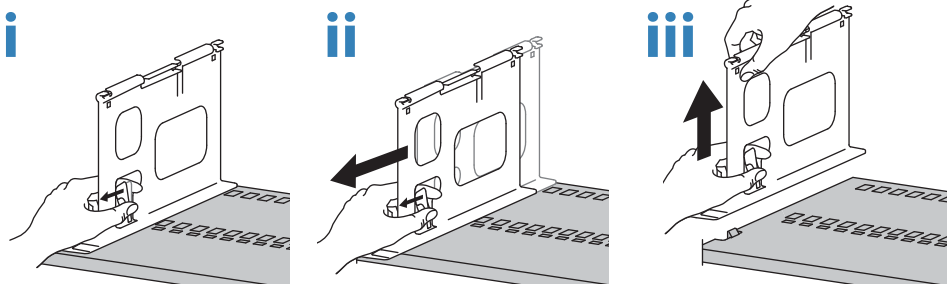
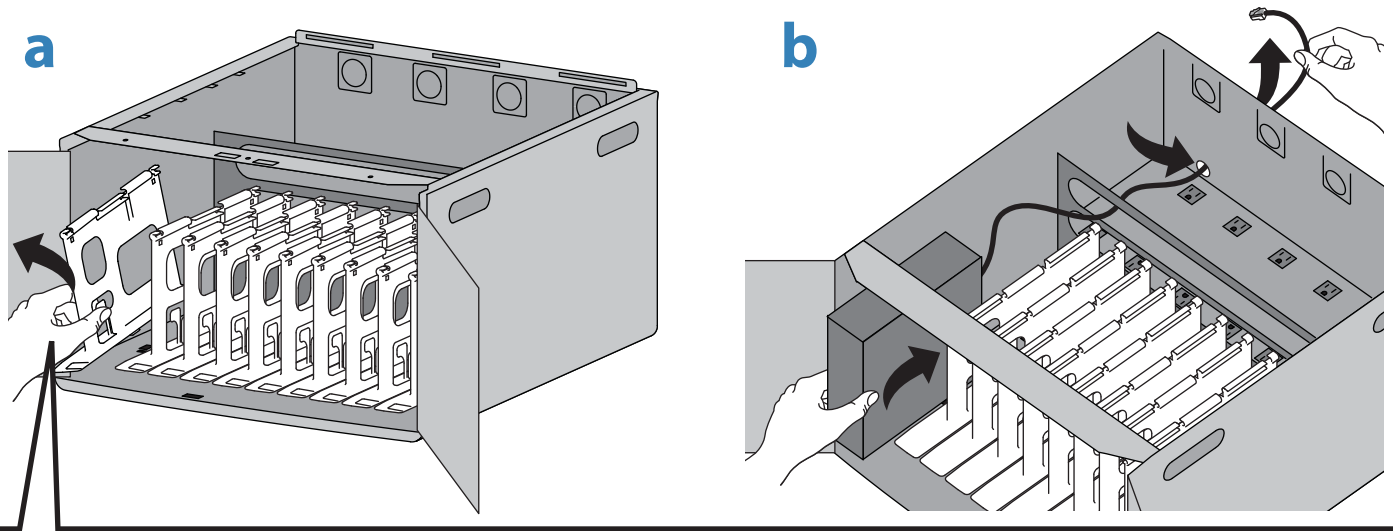


Optional Wireless Access Point (WAP) installation.

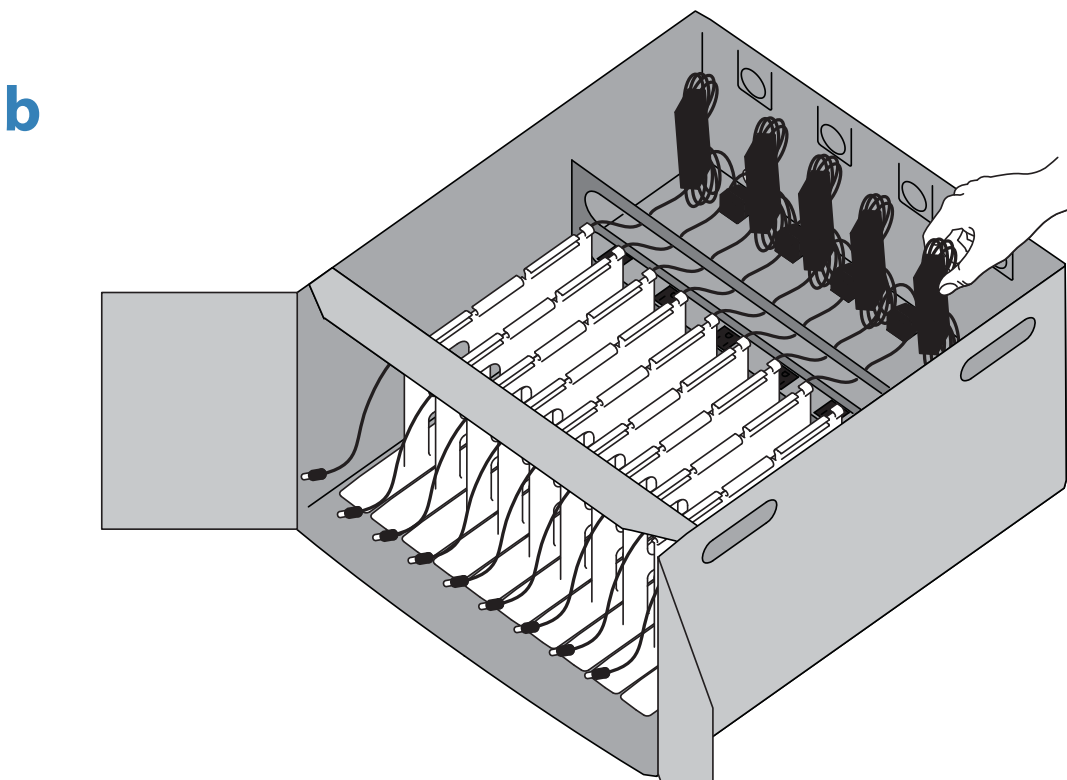
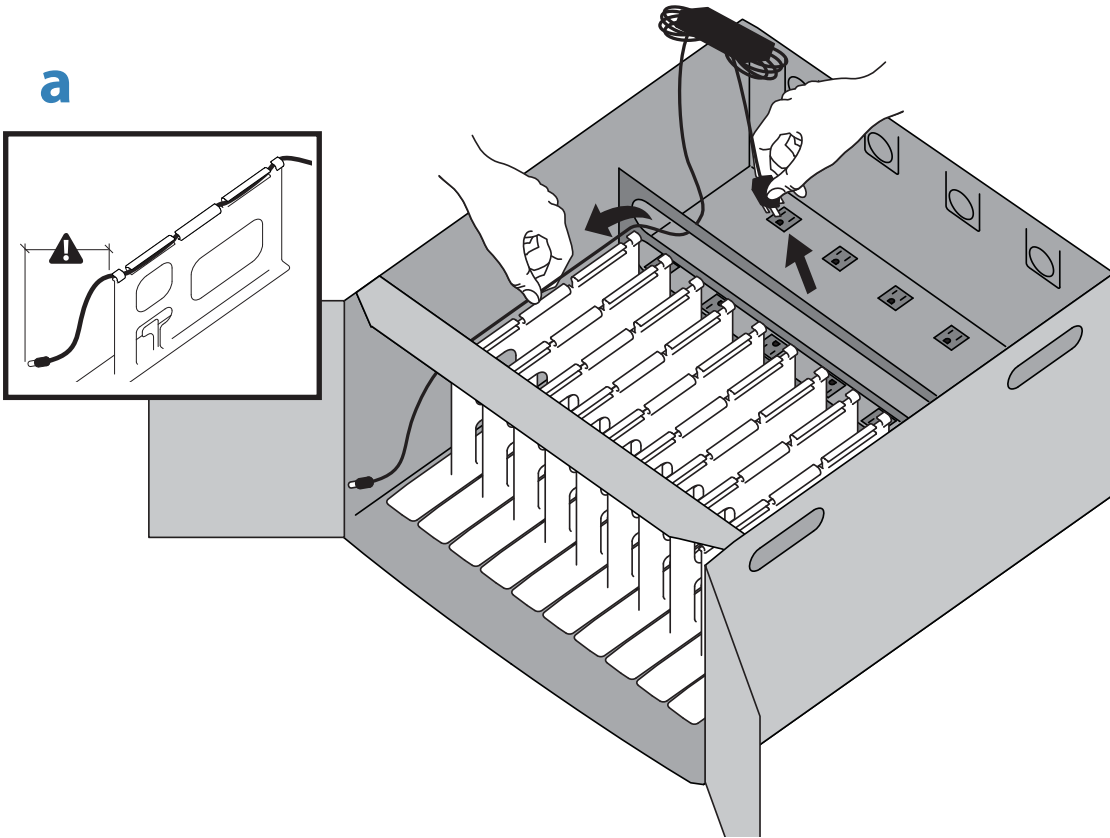
a. Remove left divider if more room is needed to insert WAP.

- i. Pull lever towards you.
- ii. With lever pulled, slide divider towards you.
- iii. Lift up and off.

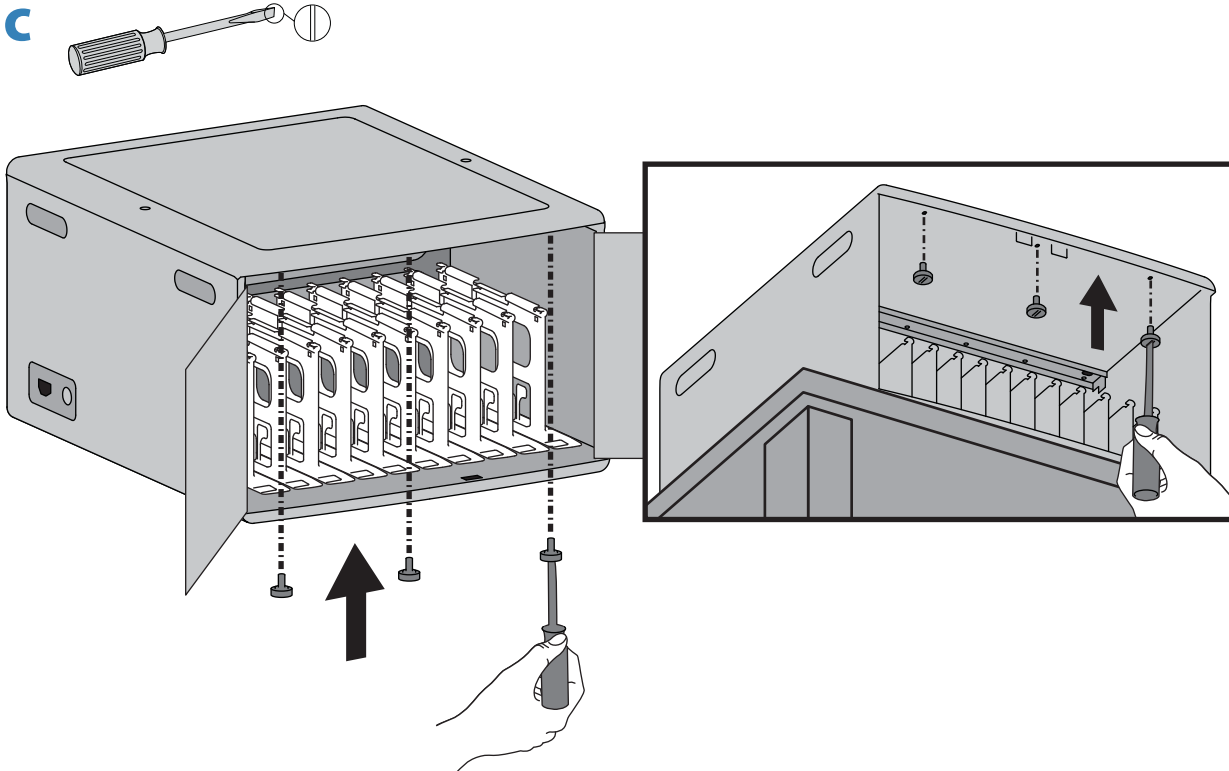
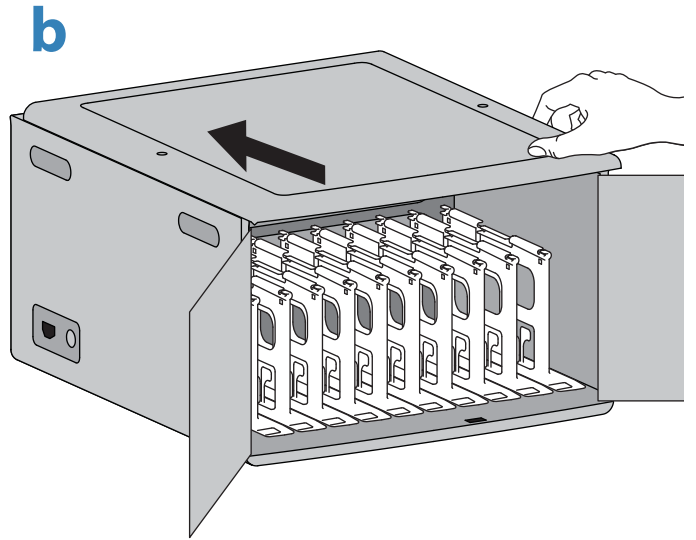
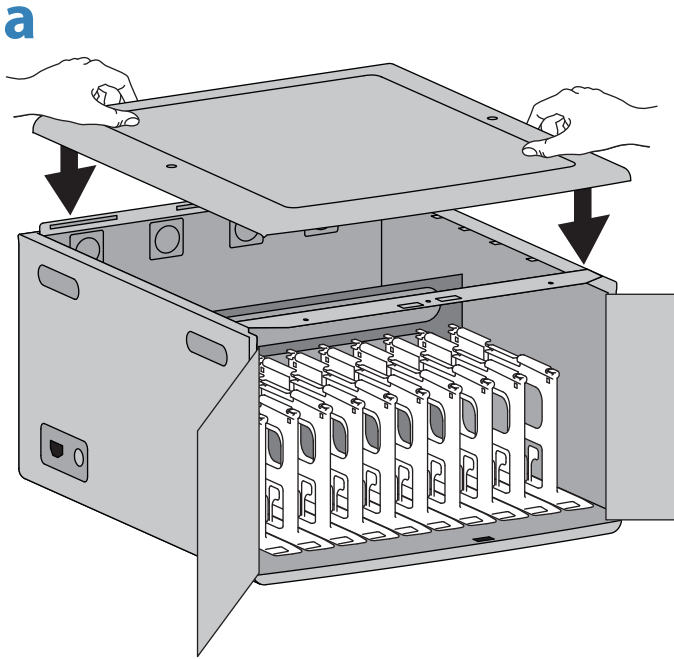
b. Slide WAP into far left slot, then route power cable to power strip in back and network cable out the cable hole in back panel.



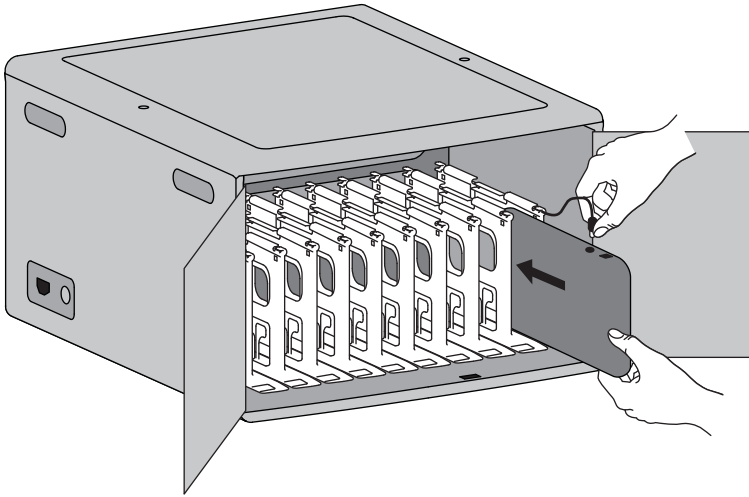
- 5** Route all device power cables.
- Determine cable length needed to plug into device, then route cables back through divider and plug into power strip.
 - Bundle cables and store in back of module.



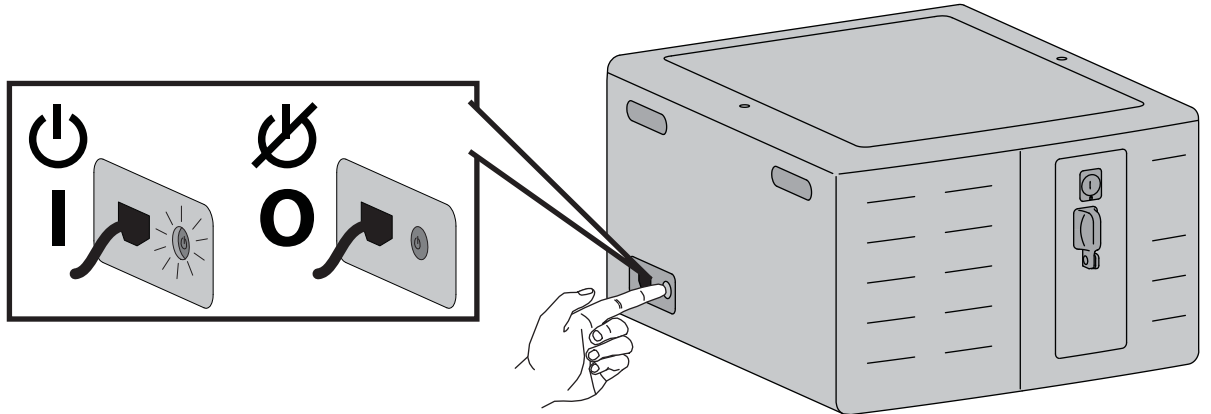
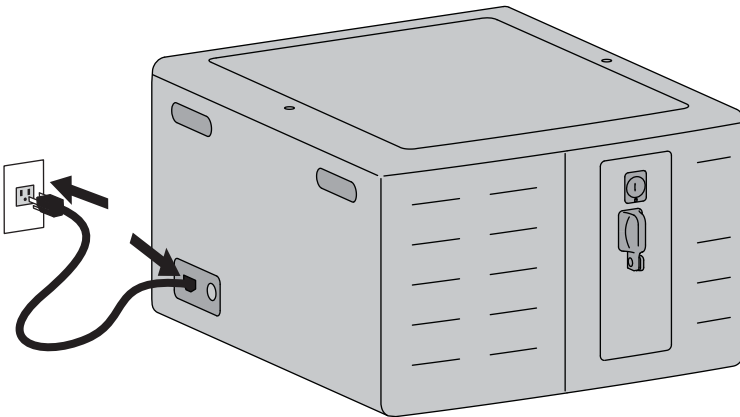
6 Attach Top.



7 Plug in and insert devices.

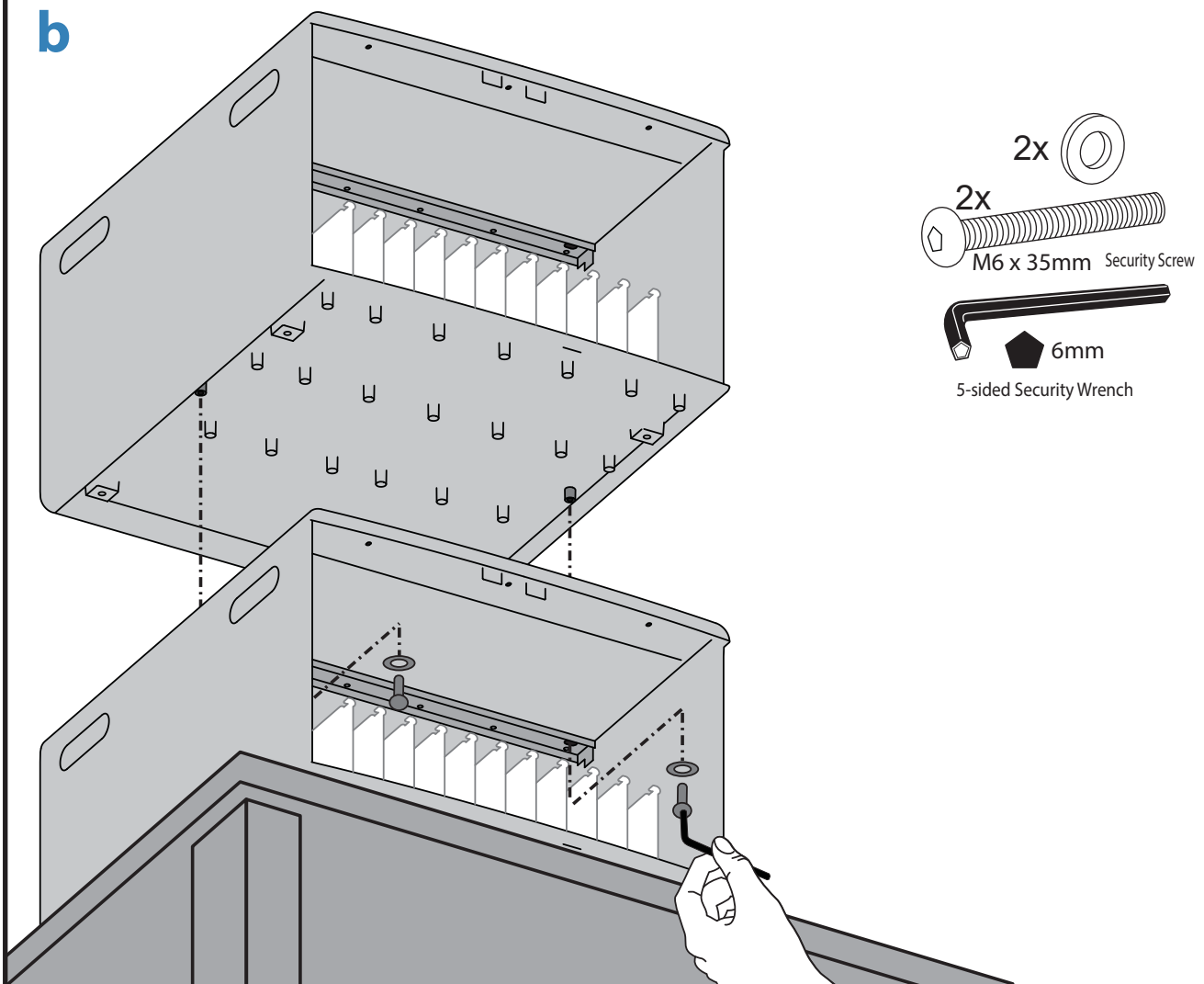
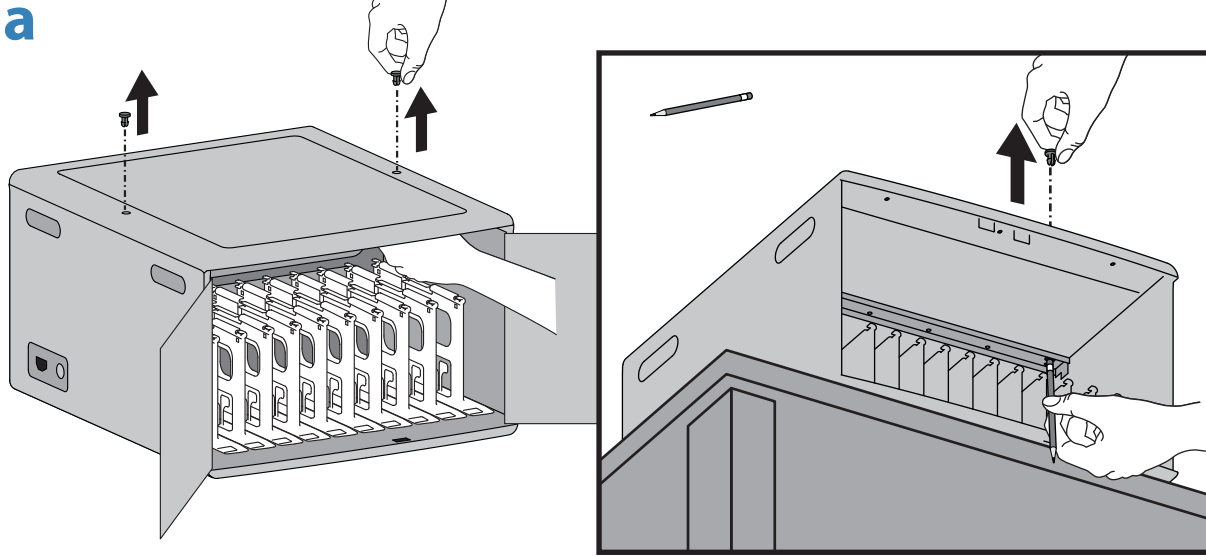


8 Plug in power cable and turn power on.



Optional stacking installation (maximum of 2).

- a. Remove 2 plugs in top by pushing up from below with a blunt object (ie pencil top).
- d. Attach units using provided screws.

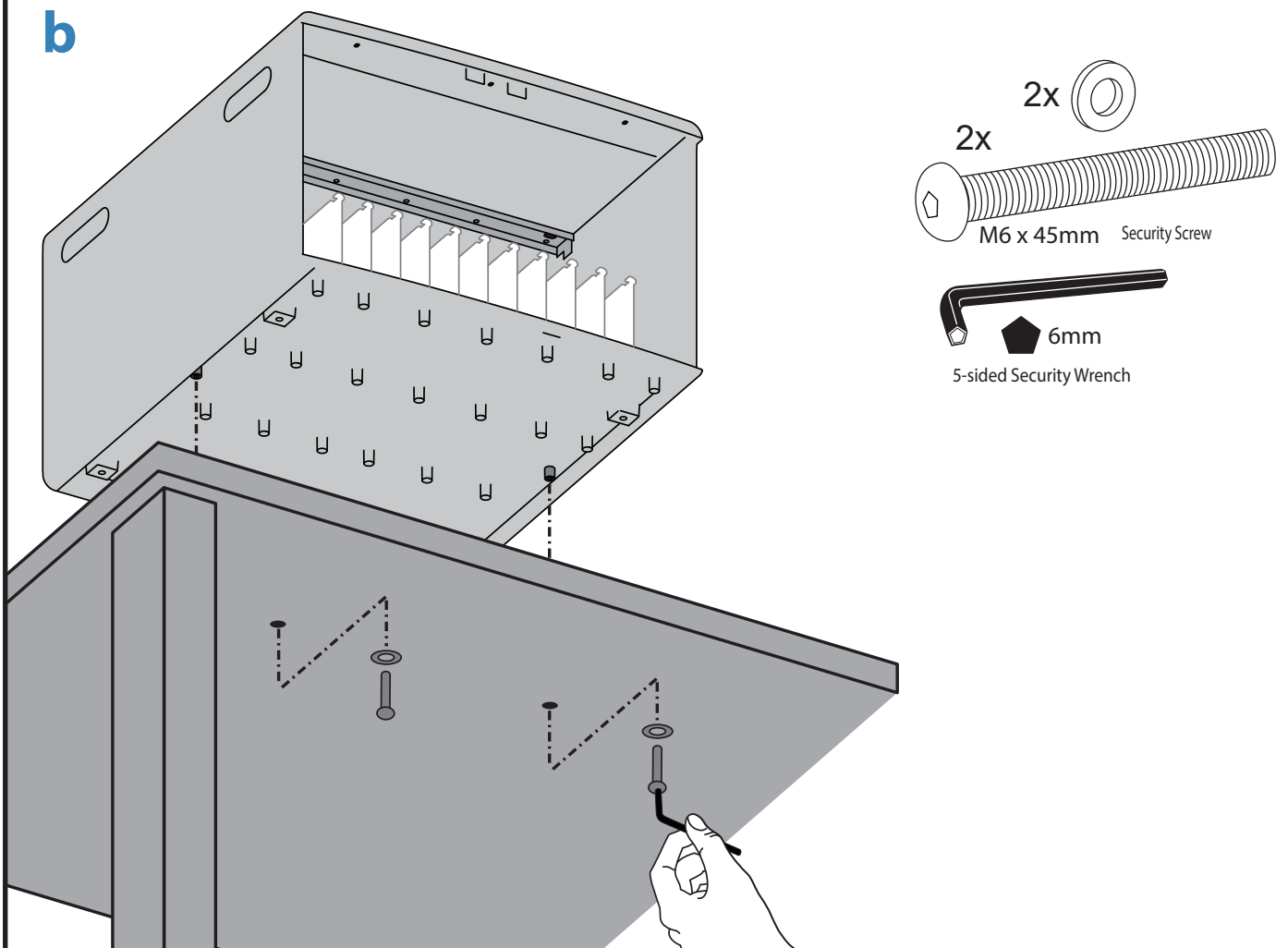
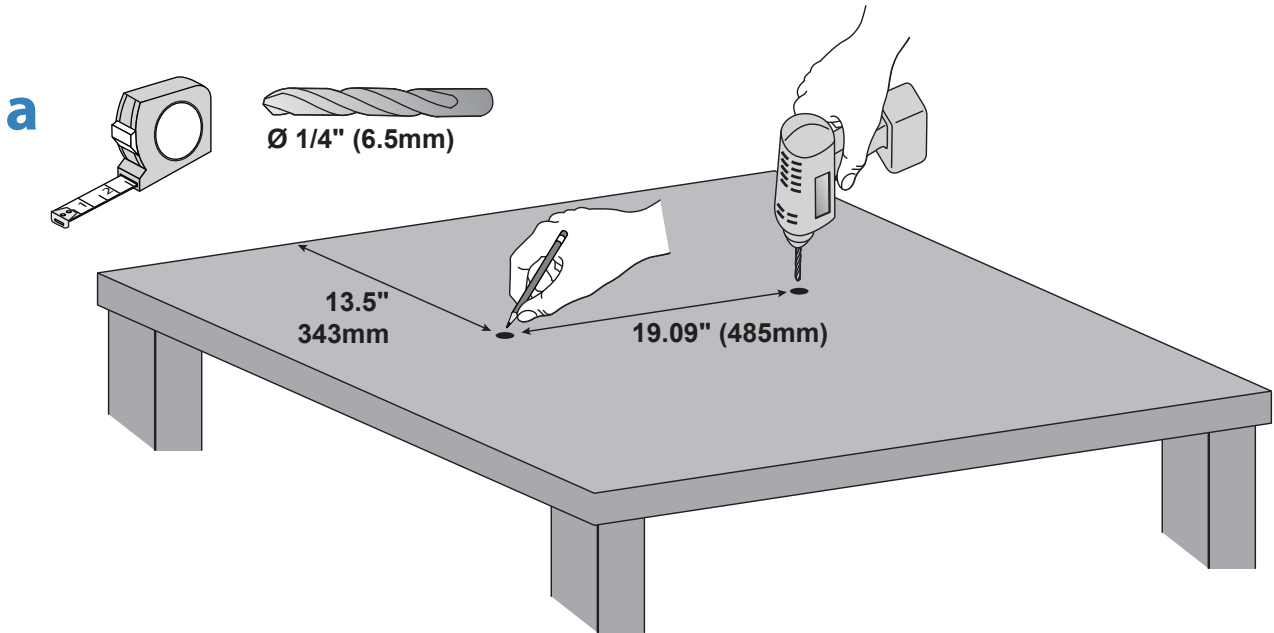


Optional worksurface anchoring installation.

NOTE: Worksurface thickness $\leq 1"$ (25.4mm). Worksurface depth $\geq 24"$ (610mm)

a. Mark holes, then drill.


b. Attach unit using provided hardware up through bottom of worksurface.




Cleaning and Maintenance

Cabinet and Equipment Electric Safety

There are specific risks associated with the use of equipment having power cables. You must be aware of, and avoid these risks when this product is located in close proximity to children.

 **WARNING:** Failure to observe the following Electrical Safety notices can result in fire or death by electric shock.

 Electrical cables can be hazardous. Misuse can result in fire or death by electrical shock.

- Double Pole / Neutral Fusing
- Inspect power cables thoroughly before each use.
- Do not use cables that are damaged.
- Insert the plug completely into the outlet.
- Grasp the plug to remove from the outlet.
- Do not unplug by pulling on the cable.
- Do not use excessive force to make connections.
- Do not plug the cable into an extension cable.
- Do not remove, bend or modify any metal prongs or pins of cable.
- Do not drive, drag or place objects over the cable.
- Do not walk on the cable.
- Avoid overheating. Uncoil the cable and do not cover it with any material.
- Do not run cable through doorways, holes in ceilings, walls or floors.

 Keep this product away from water.

- Do not use it when wet.
- Do not place this product in close proximity to flammable liquids or gases.





The power cord acts as the connect/disconnect device switching power off and on.

Cabinet Use Safety

There are specific risks associated with the use of this product when moving or stationary (for charging or storage). You must be aware of, and avoid these risks when this product is located in close proximity to children.

 **WARNING:** Failure to observe the following Safety notices may result in serious personal injury or equipment damage.

-  Do not allow children to move this product.
- Do not allow anyone to sit, stand, or climb on this product.
- Do not block the fans and vent openings. To prevent overheating, leave at least 25.4 mm (1-inch) clearance around fans and vents.

-  This product is designed to be used indoors only.
- Do not use this product to transport or store equipment other than what has been noted in this guide.
- Do not use this product to store liquids or cleaning supplies.
- Do not place heavy objects on the top surface or shelf.
 - The maximum weight capacity of the top surface is 25 lb (11.3 kg).
 - The maximum weight capacity of the inside compartment is 61.2 lb (27.8 kg).

Moving This Product

Before moving this product:

1. Disconnect the power cables from the wall.
2. Make sure the cables are wrapped and secure.
3. Close and lock the doors.
4. Remove notebook and other items from the top work surface.

 Two people are required to lift this product; use caution when lifting to prevent muscle strain.


Placement






Observe these safety alerts for times when this product is stationary:

- Do not place on an object or surface that cannot support its weight: 58.8 lbs (26.7 kg).
- Do not run cables through doorways, holes in ceilings, walls, or floors.
- Do not run cables across hallways, classrooms, or other areas where they will be walked on.
- Do not leave unattended in areas where children have access.
- Keep doors closed and locked whenever it is unattended or parked for charging or storage.

ergotron

Regulatory Model ERGITE-004
Input/Output:
100-240V~, 12A-10A, 50/60 Hz




    35MR 

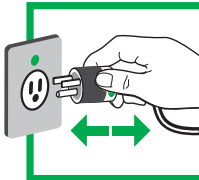

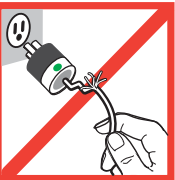
Ergotron Europe
Beeldschermweg 3
3821 AH, Amersfoort
The Netherlands
UL 60950 Accessory

この装置は、クラスA情報技術装置です。この装置を家庭環境で使用すると電波妨害を引き起こすことがあります。この場合には使用者が適切な対策を講ずるよう要求されることがあります。VCCI-A

This device complies with Part 15 of the FCC Rules. Operation is subject to the following two conditions: 1) This device may not cause harmful interference. 2) This device must accept any interference received, including interference that may cause undesired operation. CAN ICES-3(A)/NMB-3(A).

Made in China 828-197-01

 **DANGER! Risk of Electric Shock**
DANGER! Electrical cables can be hazardous. Misuse can result in fire or death by electrical shock.

Specifications

This device complies with Part 15 of the FCC Rules. Operation is subject to the following two conditions:

- 1) This device may not cause harmful interference.
- 2) This device must accept any interference received, including interference that may cause undesired operation.

CAN ICES3(A)/NMB-3(A).

Changes or modifications not expressly approved by the Ergotron could void the user's authority to operate the equipment.

この装置は、クラスA情報技術装置です。この装置を家庭環境で使用すると電波妨害を引き起こすことがあります。この場合には使用者が適切な対策を講ずるよう要求されることがあります。

VCCI-A

Dimensions

22.0" W x 24.5" D x 14.0" H
(558 x 622 x 356 mm)

Weight (w/o equipment)

50.0 lb (22.7 kg)

Rated weight capacity

Top Work Surface: 25 lb (11.3 kg)
5.1 lb (2.3 kg) per device

Accommodates maximum device size

Individual device dimensions (including cover):
up to 15.3" W x 9.7" H (389 x 246 mm)
Individual device weight: up to 5.1 lb (2.3 kg)

Cooling/ventilation

Four 12-volt continuous operation fans

Shipping dimensions

27.9" W x 25.2" D x 17.2" H (710 x 641 x 437 mm)

Shipping weight

57.5 lb (26.1 kg)

Power System

100-240 V~, 12-10A, 50/60 Hz

Environmental

Temperature range:

Operating 0° to 30°C (32° to 86°F)
Storage -40° to 60°C (-40° to 140°F)

Relative humidity (maximum):

Operating 10%–90% (non condensing)
Storage 5%–95% (non condensing)

Altitude (maximum): 2000 m (6,562 ft)

Compatibility:

Tablet, Chromebook, Laptop devices up to a 14.0" (356 mm) screen.

Certification:

UL 60950 Safety of Information Technology Equipment, CAN/CSA C22.2 No. 60950.

ICES-003 Issue 5, Class A

FCC Part 15 Class A

RoHS and REACH compliant material used.

Troubleshooting

Notification	Probable Cause	Resolution
Blue ON/OFF switch flashing.	There is an over-current condition that cannot be resolved. Power has been removed to the devices. An over-current condition could be a defective device installed or possibly something plugged into external auxiliary outlet causing too much current.	To correct, remove source of over-current condition, then unplug from wall and then plug back in, or push power switch off then back on to reset.

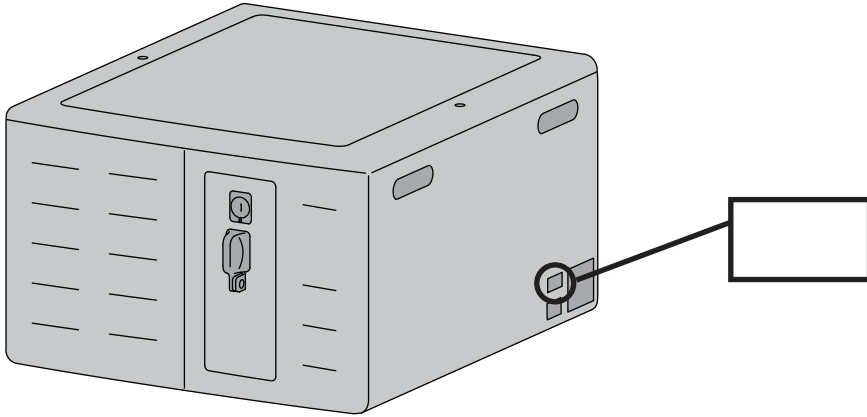
For Warranty visit: www.ergotron.com/warranty

For Service visit: www.ergotron.com

For local customer care phone numbers visit: <http://contact.ergotron.com>



NOTE: When contacting customer service, reference the serial number.



ergotron[®]

www.ergotron.com | USA: 1-800-888-8458 | Europe: +31 (0)33-45 45 600 | China: 400-120-3051 | Japan: japansupport@ergotron.com

© 2015 Ergotron, Inc. All rights reserved.

While Ergotron, Inc. makes every effort to provide accurate and complete information on the installation and use of its products, it will not be held liable for any editorial errors or omissions (including those made in the process of translation from English to another language), or for incidental, special or consequential damages of any nature resulting from furnishing this instruction and performance of equipment in connection with this instruction. Ergotron, Inc. reserves the right to make changes in the product design and/or product documentation without notification to its users. For the most current product information, or to know if this document is available in languages other than those herein, please contact Ergotron. No part of this publication may be reproduced, stored in a retrieval system, or transmitted in any form or by any means, electronic, mechanical, photocopying, recording or otherwise without the prior written consent of Ergotron, Inc., 1181 Trapp Road, Eagan, Minnesota, 55121, USA Patents Pending and Patented U.S. & Foreign. Ergotron is a registered trademark of Ergotron, Inc.