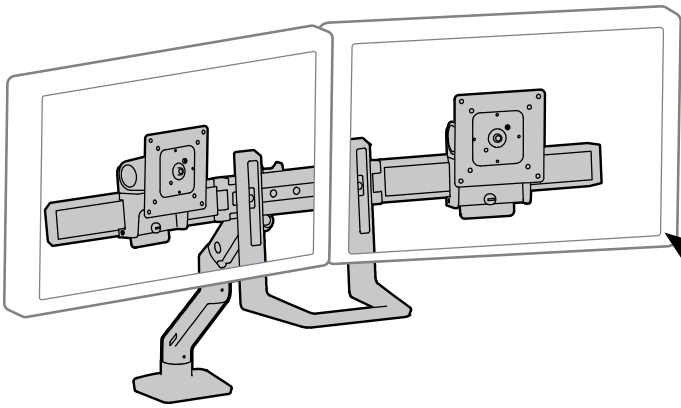
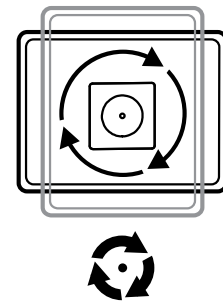
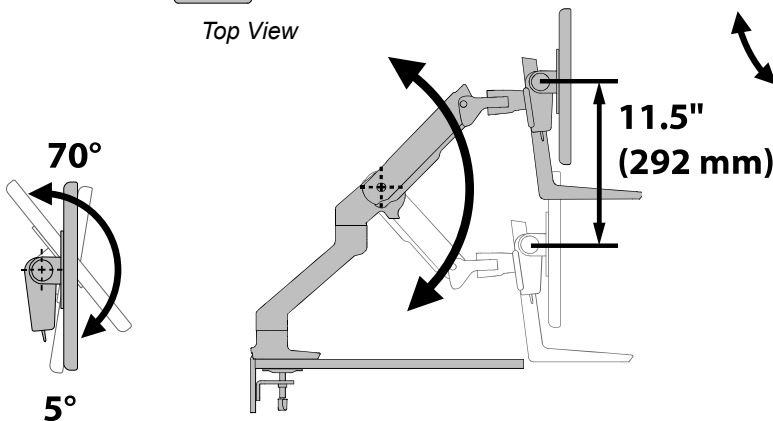
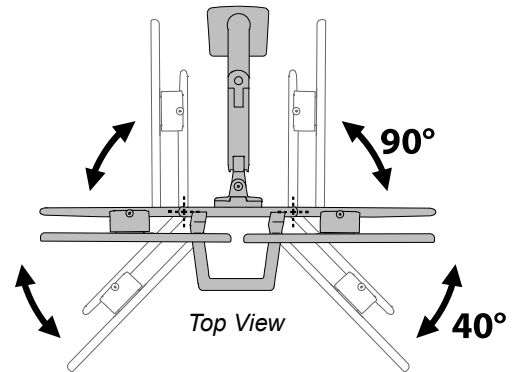
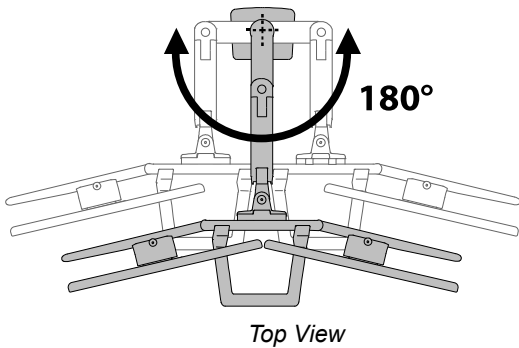
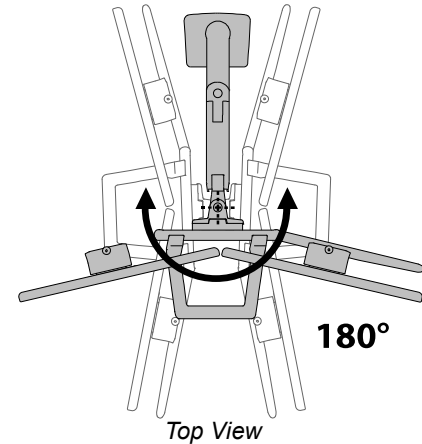
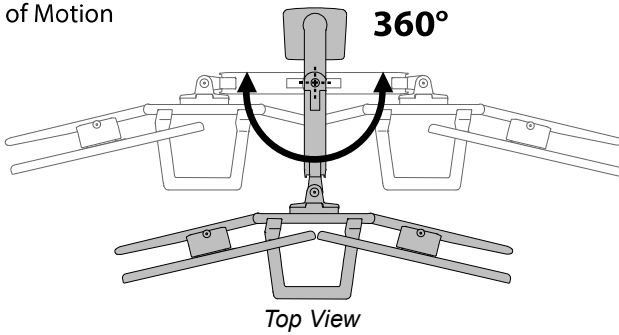


Ergotron® HX Dual Monitor Arm



**LB
kg** 5 lbs. - 17.5 lbs.
(2.3 kg - 7.9 kg)
per monitor

Range of Motion



Portrait/Landscape Rotation

© 2016 Ergotron, Inc. rev. 12/11/2019 DIM-HXDualDesk Content is subject to change without notification

Americas Sales and Corporate Headquarter

St. Paul, MN USA
(800) 888-8458
+1-651-681-7600
www.ergotron.com
sales@ergotron.com

EMEA Sales

Amersfoort, The Netherlands
+31 33 45 45 600
www.ergotron.com
info.eu@ergotron.com

APAC Sales

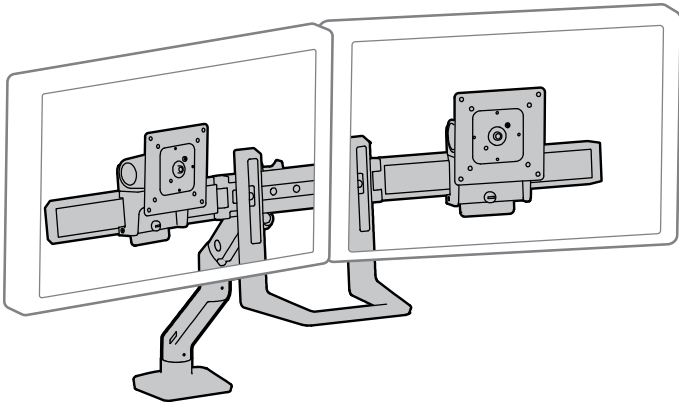
Tokyo, Japan
www.ergotron.com
apaccustomerservice@ergotron.com

Worldwide OEM Sales

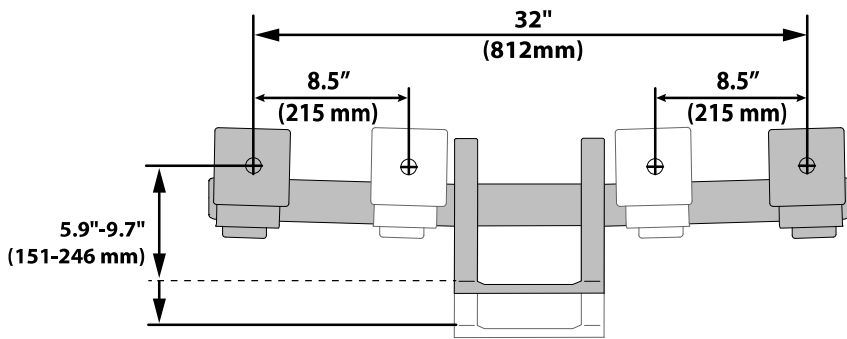
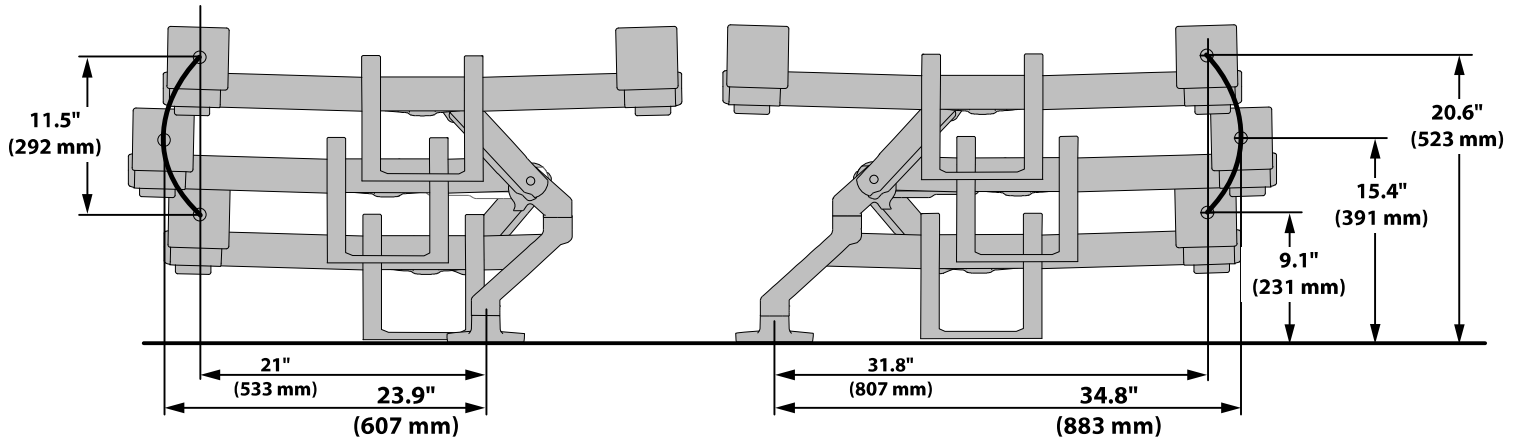
www.ergotron.com
info.oem@ergotron.com

ergotron®

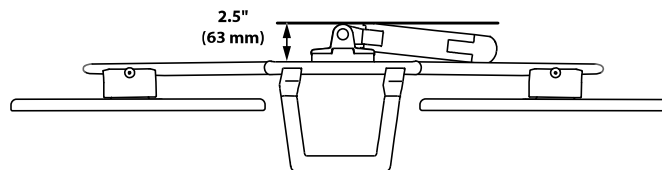
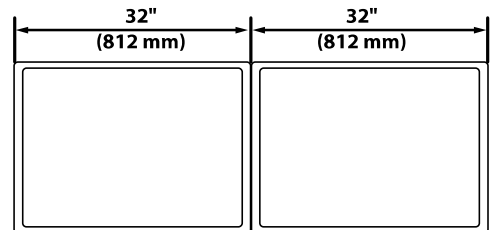
Dimensional Illustrations
Ergotron® HX Dual Monitor Arm



Dimensions



Max Monitor Size



Top View

© 2016 Ergotron, Inc. rev. 12/11/2019 DIM-HXDualDesk Content is subject to change without notification

**Americas Sales and
Corporate Headquarter**

St. Paul, MN USA
(800) 888-8458
+1-651-681-7600
www.ergotron.com
sales@ergotron.com

EMEA Sales

Amersfoort, The Netherlands
+31 33 45 45 600
www.ergotron.com
info.eu@ergotron.com

APAC Sales

Tokyo, Japan
www.ergotron.com
apaccustomerservice@ergotron.com

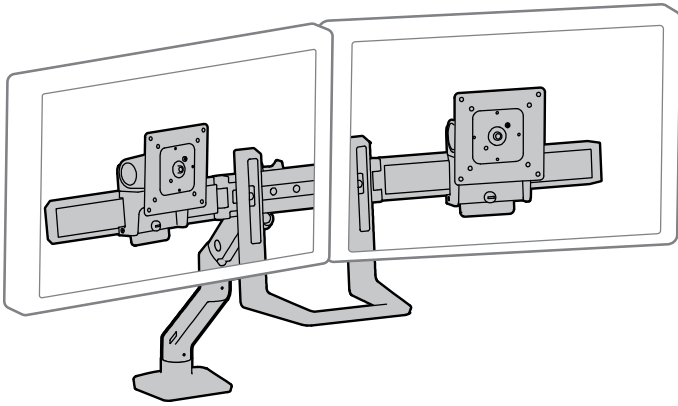
Worldwide OEM Sales

www.ergotron.com
info.oem@ergotron.com

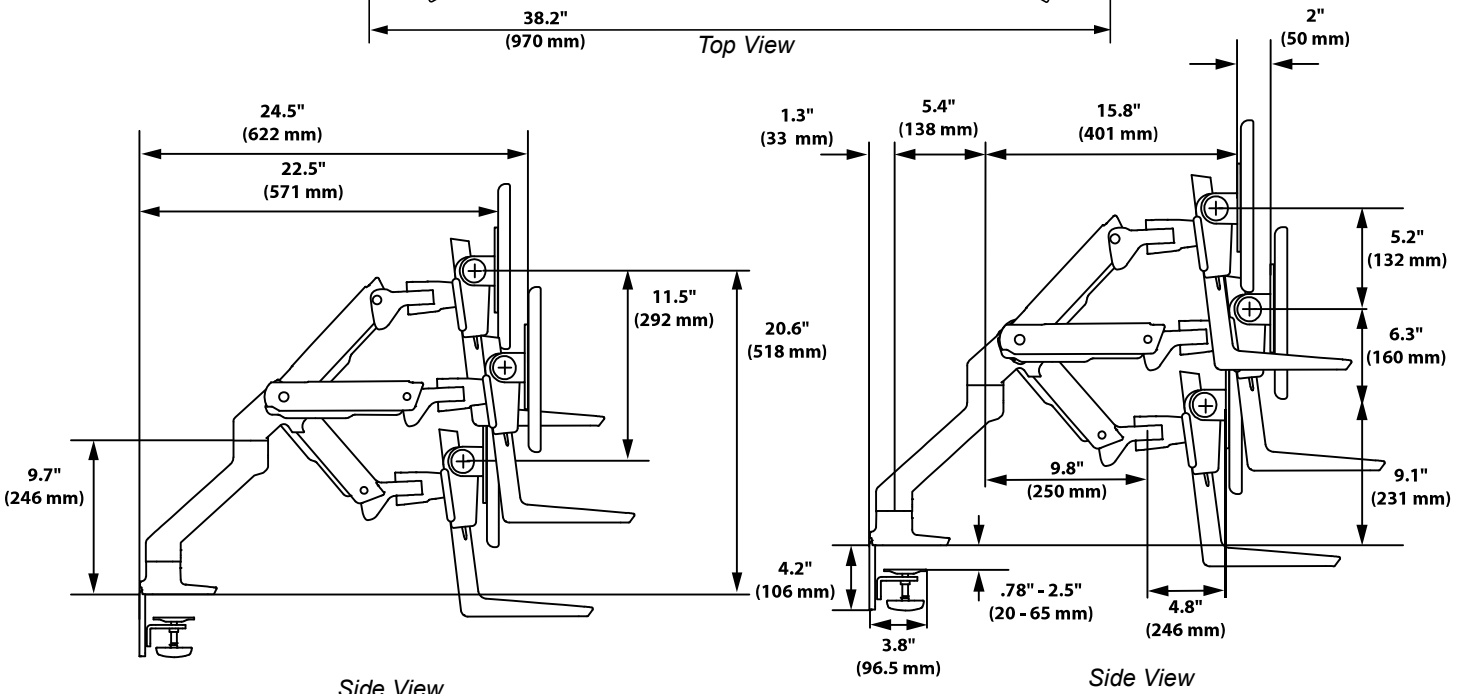
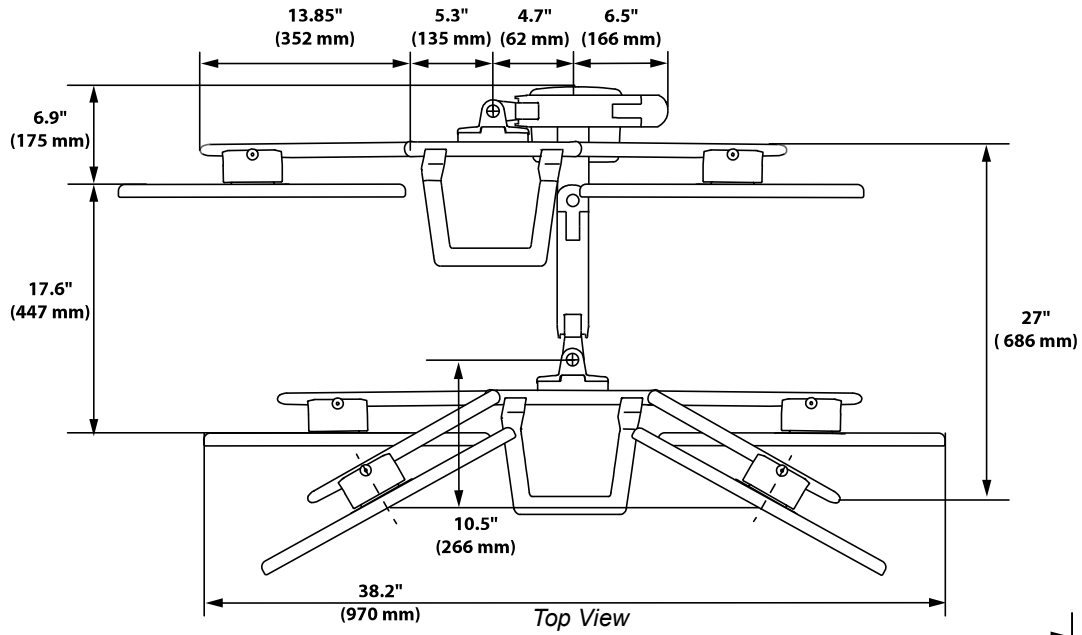
ergotron®

Dimensional Illustrations

Ergotron® HX Dual Monitor Arm



Dimensions



© 2016 Ergotron, Inc. rev. 12/11/2019 DIM-HXDualDesk Content is subject to change without notification

Americas Sales and Corporate Headquarter

St. Paul, MN USA
 (800) 888-8458
 +1-651-681-7600
 www.ergotron.com
 sales@ergotron.com

EMEA Sales

Amersfoort, The Netherlands
 +31 33 45 45 600
 www.ergotron.com
 info.eu@ergotron.com

APAC Sales

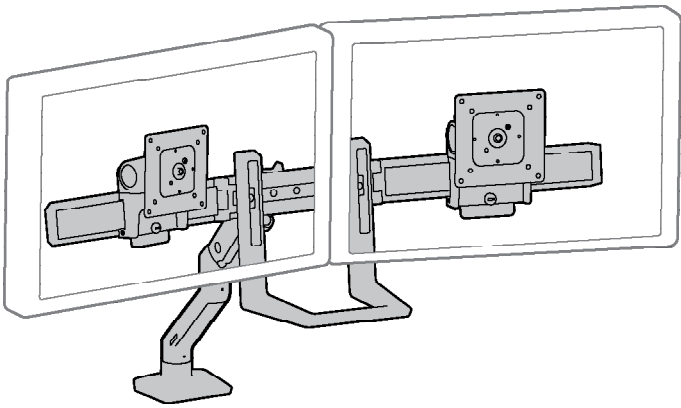
Tokyo, Japan
 www.ergotron.com
 apaccustomerservice@ergotron.com

Worldwide OEM Sales

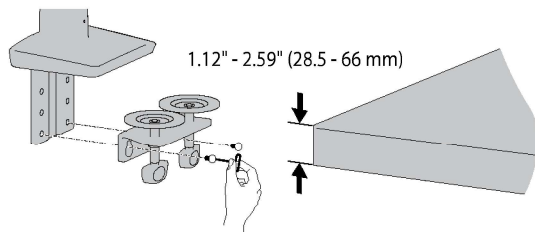
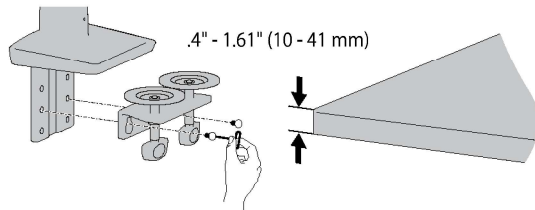
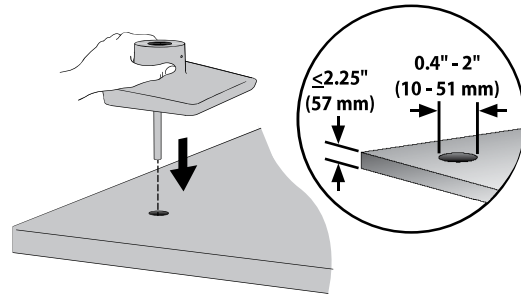
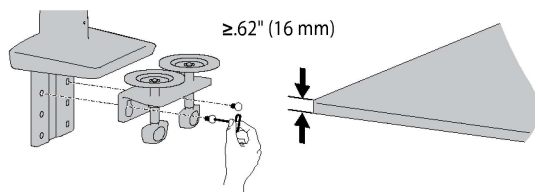
www.ergotron.com
 info.oem@ergotron.com



Dimensional Illustrations
Ergotron® HX Dual Monitor Arm



Dimensions



© 2016 Ergotron, Inc. rev. 12/11/2019 DIM-HXDualDesk Content is subject to change without notification

**Americas Sales and
Corporate Headquarter**

St. Paul, MN USA
(800) 888-8458
+1-651-681-7600
www.ergotron.com
sales@ergotron.com

EMEA Sales

Amersfoort, The Netherlands
+31 33 45 45 600
www.ergotron.com
info.eu@ergotron.com

APAC Sales

Tokyo, Japan
www.ergotron.com
apaccustomerservice@ergotron.com

Worldwide OEM Sales

www.ergotron.com
info.oem@ergotron.com

ergotron®