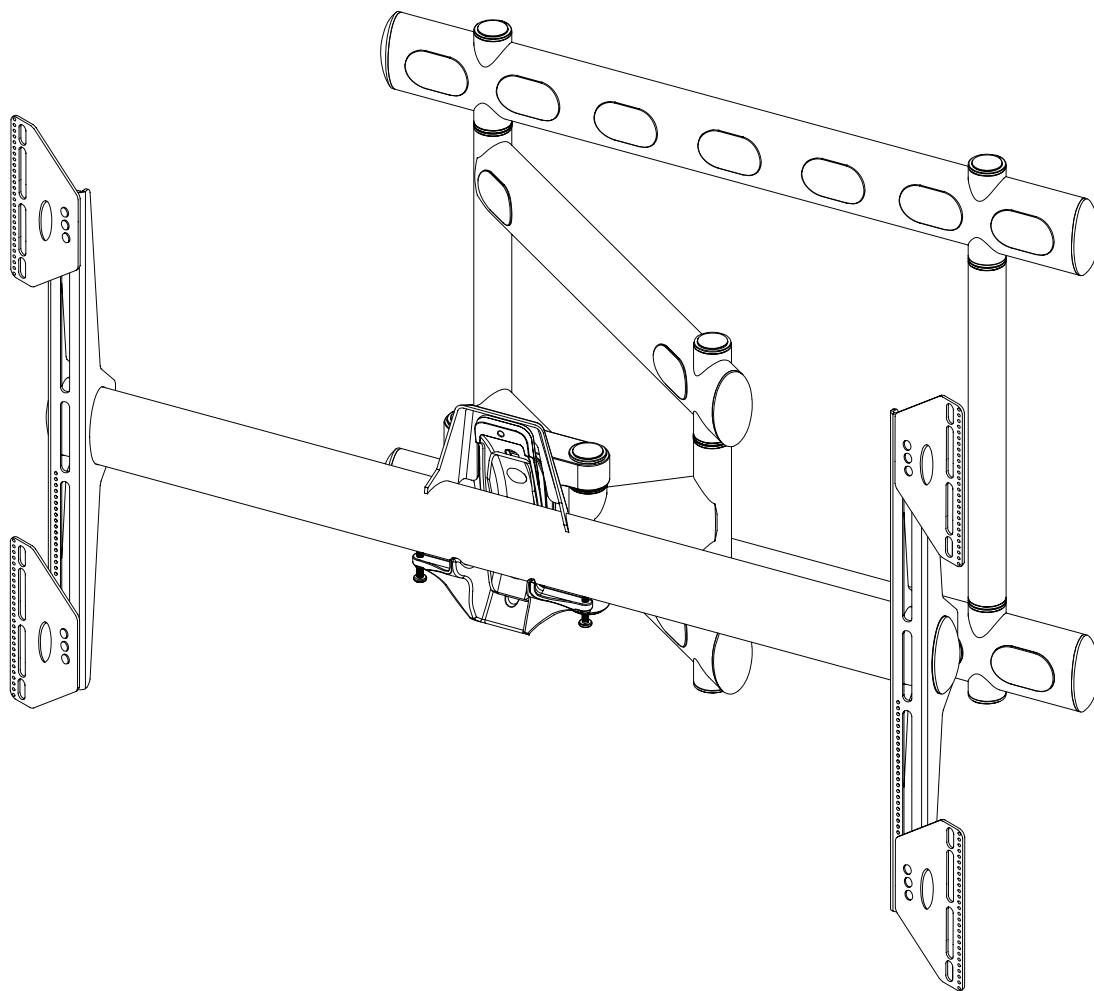


PFW 6852

Installation Guide

Installationsanleitung, Guía de Instalación, Guida de Installazione,
Guide d'Installation, Installatie gids



- (GB) Subject to printing errors and technical amendments.
- (NL) Drukfouten en technische wijzigingen voorbehouden.
- (F) Sous réserve de fautes d'impression et de modifications techniques.
- (D) Für Druckfehler übernehmen wir keine Verantwortung.
Technische Änderungen vorbehalten.
- (E) Reservados errores de imprenta y sujete a modificaciones.
- (I) Con riserva di modifiche tecniche e di eventuali errori di stampa.
- (P) Reserva-se a ocorrência de gralhas e de modificações técnicas.
- (H) Nyomdahibák és technikai változtatások joga fenntartva.
- (PL) Zastrzeżenie się możliwości występowania błędów drukarskich i zmian technicznych.
- (RUS) Возможны ошибки при печати и технические модификации.

Designed and engineered in the Netherlands
More information on: www.vogels.com

VOGEL'S PRODUCTS BV, HONDSRUGLAAN 93, 5628 DB EINDHOVEN, THE NETHERLANDS



Max: 136kg/300lbs

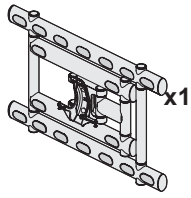
PFW 6852

Installation Guide

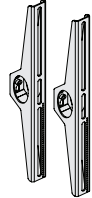
Installationsanleitung, Guía de Instalación, Guida de Installazione, Guide d'Installation, Installatie gids

Included Components:

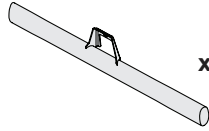
Maximum Flat Panel Weight:
300 lb. / 136 kg.



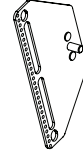
Swingout Mount x1



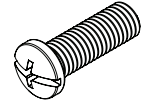
Mounting Bracket x1 Pair



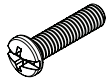
Universal Bracket Bar x1



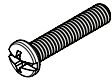
Extension Adapter x4



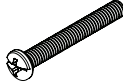
M10 x 30mm x4



M4 x 16mm x4



M4 x 20mm x4



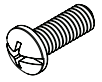
M4 x 30mm x4



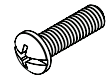
Griplate™ Washer x4



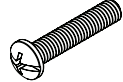
M8 Nylon Nut x4



M6 x 16mm x4



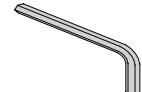
M6 x 20mm x4



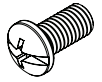
M6 x 30mm x4



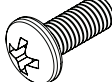
Universal Spacers x8



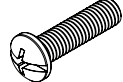
5/32" Allen Wrench x1



M8x 16mm x4



M8 x 20mm x4



M8 x 30mm x4



14mm Socket x1



Level x1



5/16" Flat Washer x10



5/16" x 3" Hex Lag x6

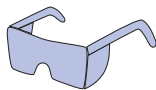
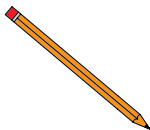


Finned Anchor x6



Thread Depth Indicator (Supplied) x1

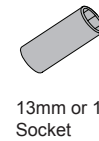
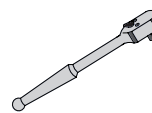
Required for installation



M6 or 1/4" Wood Drill bit



3/8" Masonry Drill bit



13mm or 1/2" Socket



www.vogels.com | Europe +31 (0)40 26 47 400

PFW 6852

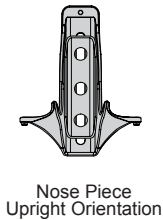
Installation Guide

Installationsanleitung, Guía de Instalación, Guida de Installazione, Guide d'Installation, Installatie gids

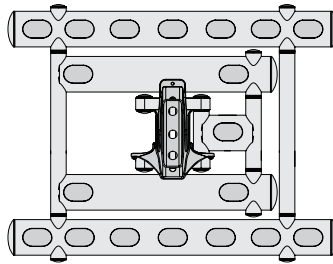
Mount Orientation

Swingout Arm can be oriented to open from either the left-hand or right-hand side. Simply invert and re-orient the Nose Piece.

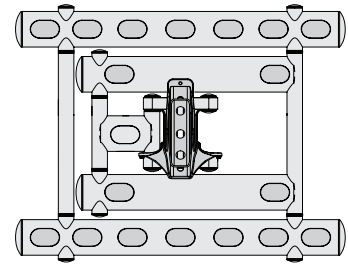
Proceed to the "Nose Piece Orientation" section.



Nose Piece Upright Orientation



Left-Hand Swingout Arm Orientation

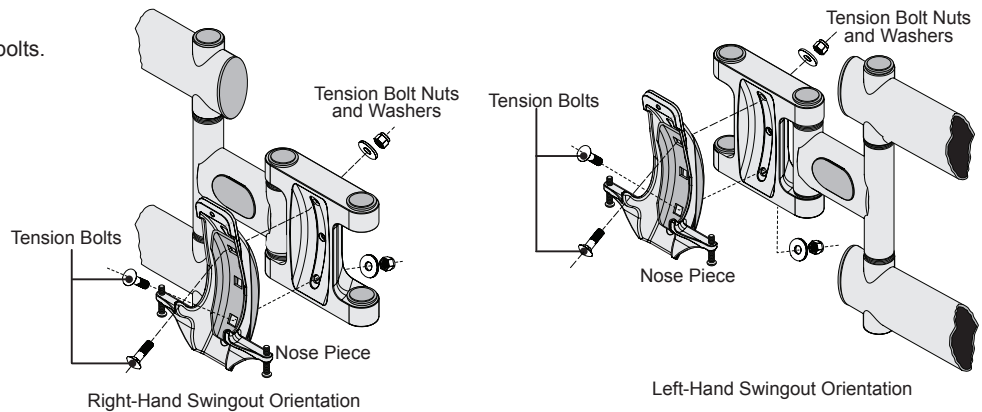


Right-Hand Swingout Arm Orientation

Nose Piece Orientation

- 1) Remove the Nose Piece by removing the tension bolts, tension bolt nuts, and washers.
- 2) Detach the Nose Piece assembly, rotate it 180°, and place it back onto your Swing out Arm.
- 3) Slide the tension bolts back into the holes and attach the tension bolts nuts and washers from the backside of the Nose Piece Assembly.
- 4) Tighten the tension bolts.

 Do not overtighten the tension bolts.

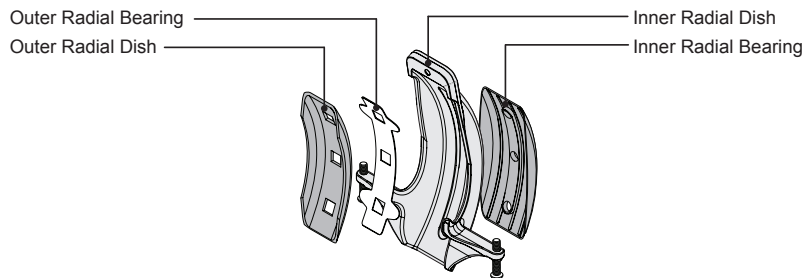


Right-Hand Swingout Orientation

Left-Hand Swingout Orientation



The Nose Piece consists of four parts that must stay together in the order that they were manufactured. If they become separated during any of the Nose Piece Orientation steps, re-assemble the parts in the order shown below.



Proceed to the "Wood Stud Installation" section if installing on a wood stud surface. The drywall must be at least 1/2" thick.

Proceed to the "Concrete Installation" section if installing onto a concrete surface.



PFW 6852

Installation Guide

Installationsanleitung, Guía de Instalación, Guida de Installazione, Guide d'Installation, Installatie gids

1

Wood Installation



Minimum of two (2) 2 x 4 wood stud to be used



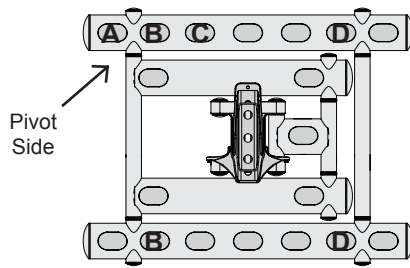
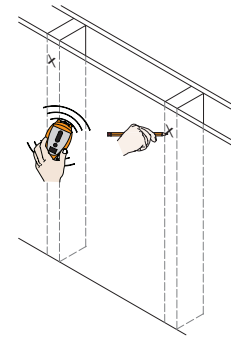
Secure the mount to two (2) wall studs with all six (6) 5/16" x 3" hex lag into the studs.



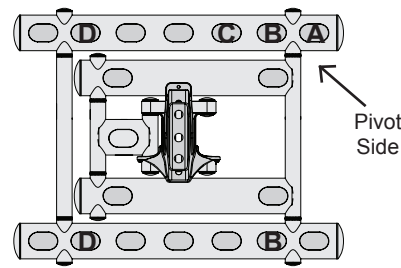
Do not overtighten.



Install **all six mounting points**. Use a 5/16" washer on each hex lag.



Left-Hand Swingout Arm Orientation



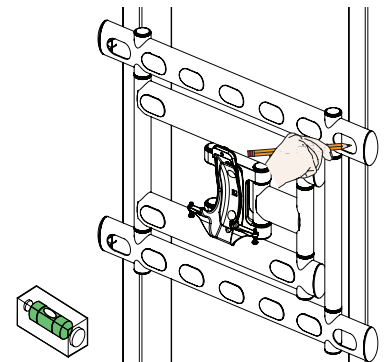
Right-Hand Swingout Arm Orientation

2



Two people are recommended for this step; one person to level the Mount and another person to mark the wall stud location.

- 1) Place the mount against the wall in the desired viewing location.
- 2) Adjust the mount to align the mount slots in the wall plate with the center of the wall studs.
- 3) Level the mount.
- 4) Use a pencil to mark the upper right mounting location along the center of the wall stud.

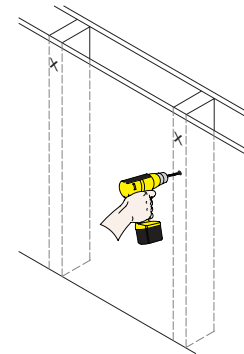


3

Drill a "pilot hole" in the center of the upper right mark using a 1/4" drill bit and power drill.



Only use a 1/4" drill bit when drilling pilot holes.



PFW 6852 Installation Guide

PFW 6852 Installation Guide

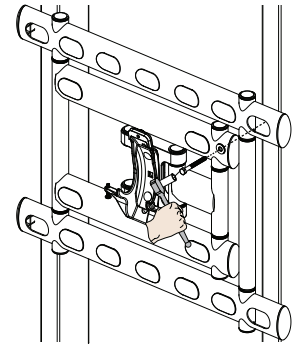
Installationsanleitung, Guía de Instalación, Guida de Installazione, Guide d'Installation, Installatie gids, Installationsanleitung, Guia de Instalacion, Guida de Installazione, Guide d'Installation, Installatie gids

4

- 1) Place the Mount against the wall and align it with the pilot hole.
- 2) Insert one (1) 5/16" x 3" hex lag and one (1) 5/16" washer into the upper right pilot hole.
- 3) Use a socket wrench and a 1/2" socket to tighten the hex lag.

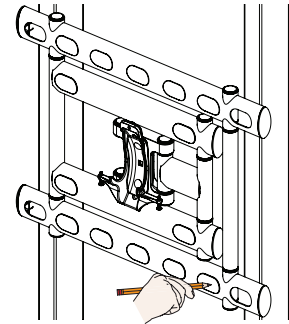


Do not overtighten the hex lags.



5

- 1) Level the wall plate.
- 2) Use a pencil to mark the remaining five (5) mounting locations along the center of each wall stud.



6

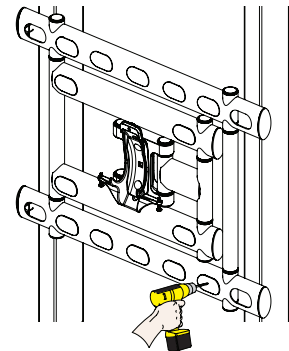


Two people are recommended for this step; one person to level the wall plate and another person to drill the pilot holes.

Drill a "pilot hole" in the center of each of the marks with a power drill and a 1/4" drill bit.



Only use 1/4" drill bit when drilling the pilot holes.

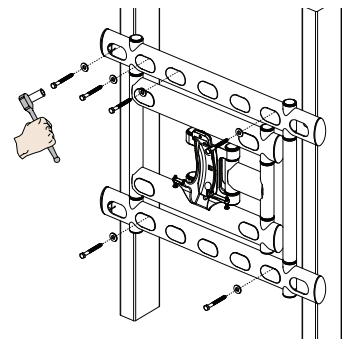


7

- 1) Insert one (1) 5/16" x 3" Hex Lag and one (1) 5/16" washer into each pilot hole
- 2) Tighten all hex lags using a socket wrench and 1/2" socket.



Do not overtighten the hex lags when attaching the mount to the wall. Improper installation may result in personal injury or property damage.



PFW 6852

Installation Guide

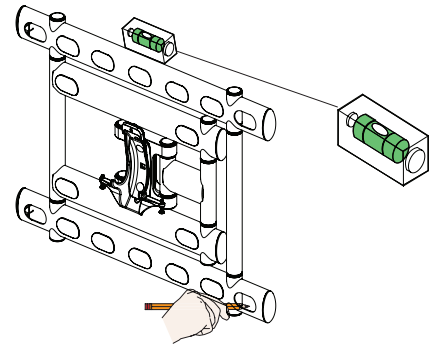
Installationsanleitung, Guía de Instalación, Guida de Installazione, Guide d'Installation, Installatie gids

8

Concrete Installation



Two people are recommended for this step: one person to level the wall plate and another person to mark the mounting locations.

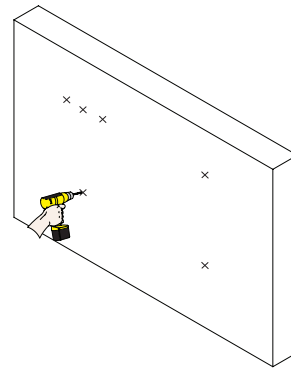


9

Drill six (6) pilot holes of each mark using a drill and 3/8" masonry drill bit. Drill 3 inches deep.

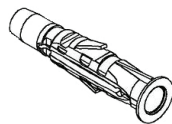


Only use a 3/8" masonry drill bit when drilling pilot holes.



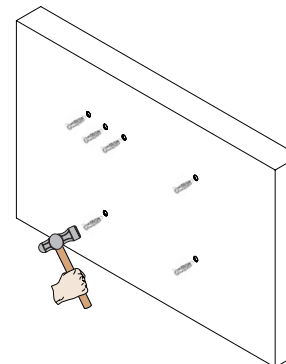
10

Insert a Finned Anchor into each hole. Lightly tap each Finned Anchor into place with a hammer.



x6

Finned Anchor

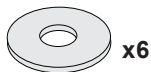


11

Insert the hex lags and washers into the Finned anchors. Tighten all hex lags using a socket wrench and 1/2" socket.



Do not over tighten the hex lag.



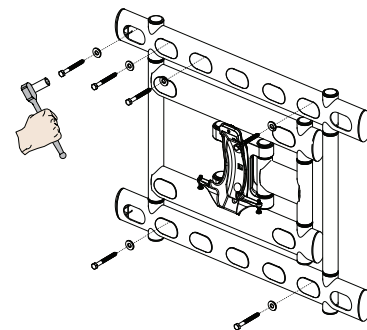
x6

5/16" Flat Washer



x6

5/16" x 3" Hex Lag



PFW 6852

Installation Guide

Installationsanleitung, Guía de Instalación, Guida de Installazione, Guide d'Installation, Installatie gids

12

Selecting the Mounting Hardware

- 1) Insert a small straw or toothpick into the threaded inserts found on the back of the flat panel.
- 2) Use a pencil to mark the depth of the threaded insert on the small straw or toothpick.
- 3) Mark the straw or toothpick 1/8" above the depth of the threaded insert, as shown in Figure 1.
- 4) Insert the small straw or toothpick into the remaining threaded inserts to compare verify their depth using the straw or toothpick's 1/8 allowance mark.
- 5) Locate the correct diameter screw for the threaded insert.



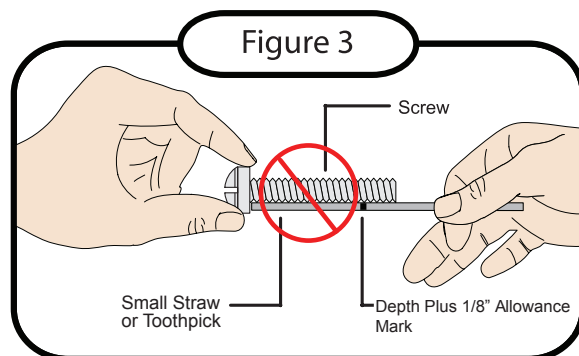
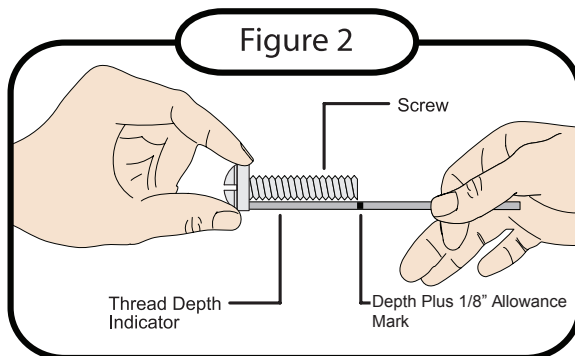
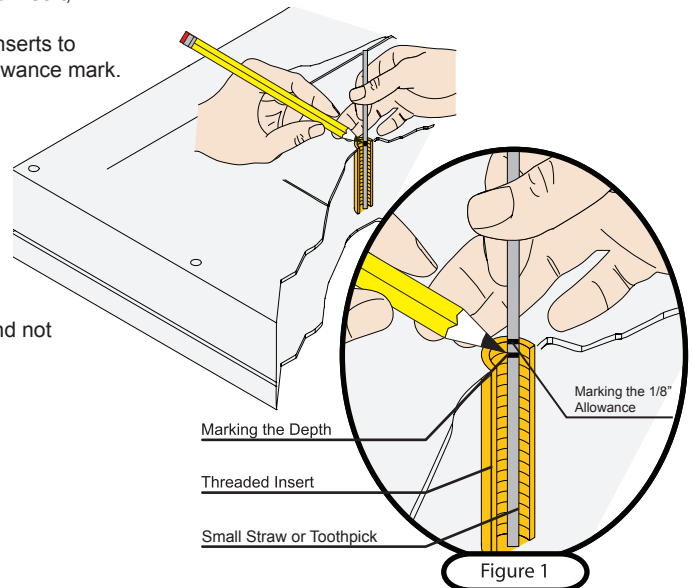
If the screw selected is longer than the 1/8" allowance mark on the small straw or toothpick, as shown in Figure 2 and Figure 3, do not use this screw. The screw length must not bypass the mark.

- 6) Test each size of the screws provided.

The correct screws should thread easily into the mounting point and not pull out when tension is applied.



Account for the bracket, spacer and Griplate™ Depths when using the Thread Depth Indicator to measure the thread depth of the flat panel.



PFW 6852




Installation Guide

Installationsanleitung, Guía de Instalación, Guida de Installazione, Guide d'Installation, Installatie gids


13

Griplate™ Washer Installation

Premier Mounts' Griplate™ washers are designed to accommodate the various M4, M5, M6 and M8 hole sizes required by flat panels.

-  Do not place excessive pressure on the back of the flat panel, as this may damage your flat panel.
-  The Griplate™ washer must be installed between the head of the mounting screw and the mounting bracket as shown.
-  The dimples on the Griplate™ washers must be oriented as follows:

- The Griplate™ Washers installed at the top of the flat panel must have the points of the dimples facing away from the flat panel.
- The Griplate™ Washers installed at the bottom of the flat panel must have the points of the dimples facing towards the flat panel.

 Does the flat panel have:



- Recessed mount points?
- Uneven mounts points?
- A curved back?
- Any obstruction near the mount point?

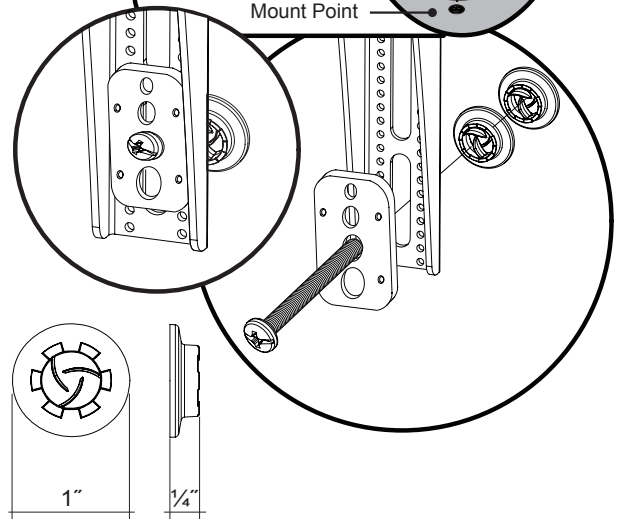
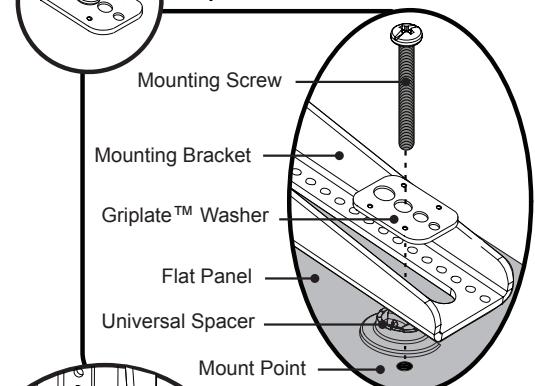
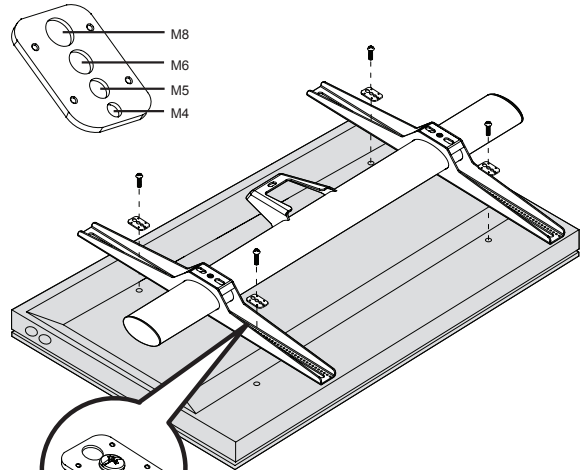
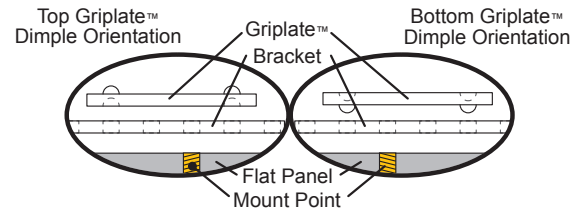
If **Yes**, install the Universal Spacer. Proceed to the "**Universal Spacer installation**" section.

If **No**, skip to the "**Mounting Bracket Installation**" section.

Universal Spacer Installation (Optional)

Universal Spacers allow the user to attach the mounting bracket to flat-panels which have recessed or uneven mount points. Each Universal Spacer adds 1/4" to the distance between the mounting bracket and the flat-panel.

-  The Universal Spacers must be stacked and oriented as shown.
-  The Universal Spacers must only be installed between the mounting bracket and the flat-panel.



PFW 6852

Installation Guide

Installationsanleitung, Guía de Instalación, Guida de Installazione, Guide d'Installation, Installatie gids

14

? Does the flat panel have a mount pattern for the mount points greater than 506mm high x 876mm wide?

If **No**, proceed to the “**Universal Bracket Installation**” section.

If **Yes**, proceed to the “**Adapter Plate Installation (Optional)**” section.

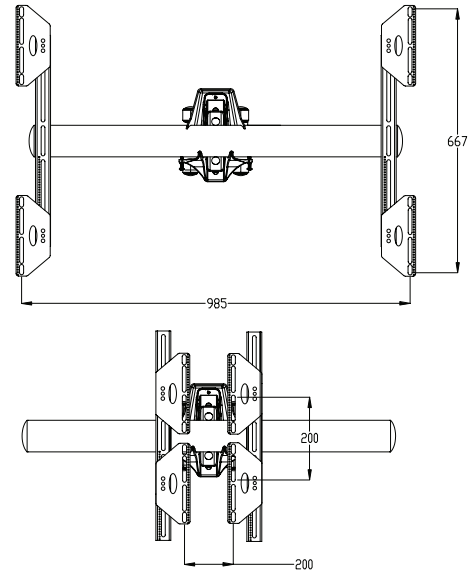
The Adapter Plates allow the mount to accommodate varies mount patterns.

Without Adapters:

Minimum: 240mm x 120mm
Maximum: 506mm x 876mm

With Adapters:

Minimum: 200mm x 200mm
Maximum: 985mm x 667mm

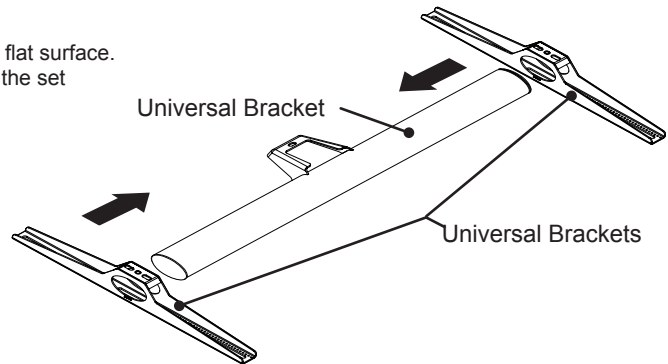


15

Universal Bracket Installation

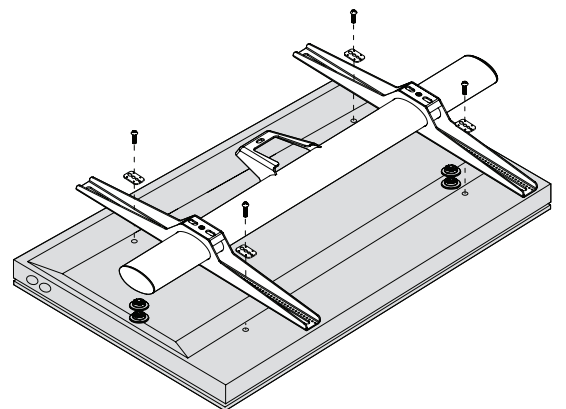
- 1) Place the Universal Bracket Bar and the Universal Brackets on a flat surface.
- 2) Slide the Universal Brackets onto the Universal Bracket Bar with the set screws facing up.

! Do not tighten the set screws that are located on the back of each Universal Bracket.



16

- 1) Place the flat panel on a soft, flat surface, face-down.
- 2) Place universal spacers over pointing points, as determined in the “**Universal Spacer Installation**” section.
- 3) Place the Universal Bracket assembly on the back of the display, with the Universal Brackets resting directly over the flat panel mount points.
- 4) Place a Griplate™ Over each mount point and secure them using the mounting hardware determined in the “**Selecting the Mounting Hardware**” section.



PFW 6852

Installation Guide

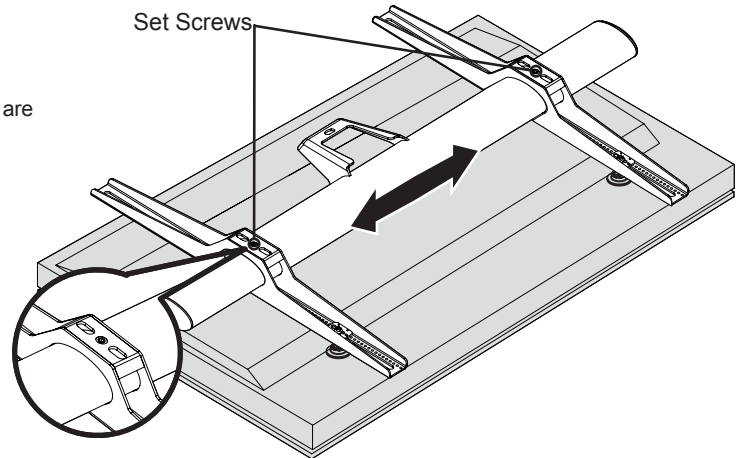
Installationsanleitung, Guía de Instalación, Guida de Installazione, Guide d'Installation, Installatie gids

17

- 1) Center the Universal Bracket Bar.
- 2) Use the 5/32" Allen wrench to tighten the set screws that are located on the back of each Universal Bracket.



Do not overtighten the set screws.



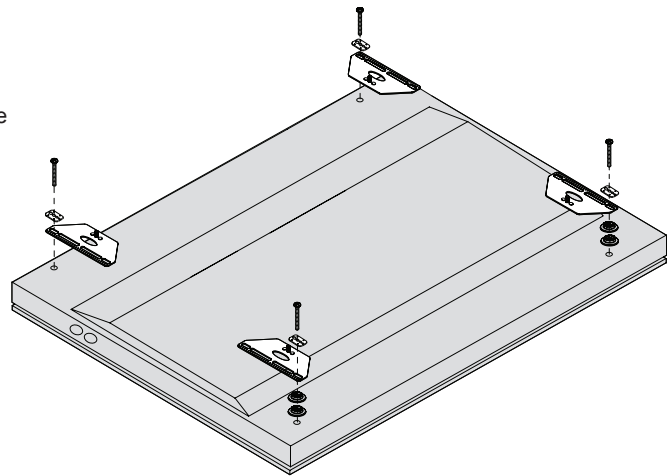
18

Adapter Plate Installation

Attach the Adapter Plates to the flat panel using Griplates™ and the mounting hardware determined in the “**Selecting the Mounting Hardware**” and “**Nylon Spacer Installation**” sections.

Do not tighten the mounting hardware at this time.

If M10 x 30mm mounting screws are needed for your installation, Griplate™ washers cannot be used. Please use the four (4) 5/16" flat washers (supplied) with the M10 x 30mm screws to attach the adapter plates to the flat panel.



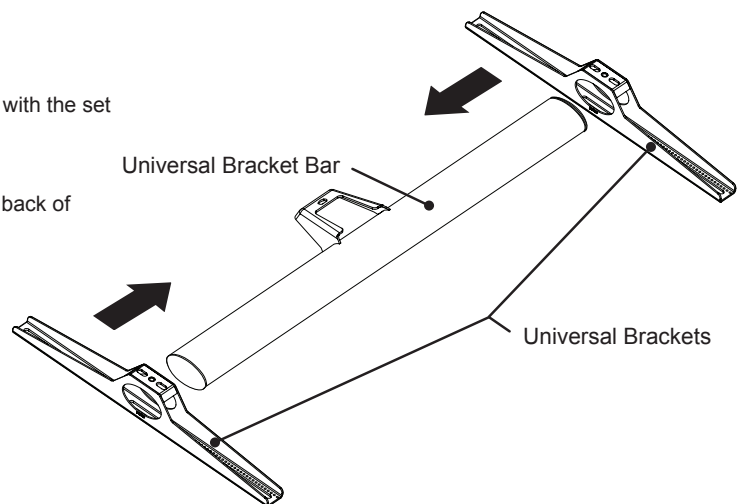
19

Slide the Universal Brackets onto the Universal Bracket Bar with the set screws facing up.



Caution!

Do not tighten the set screws that are located on the back of each Universal Bracket.



PFW 6852

Installation Guide

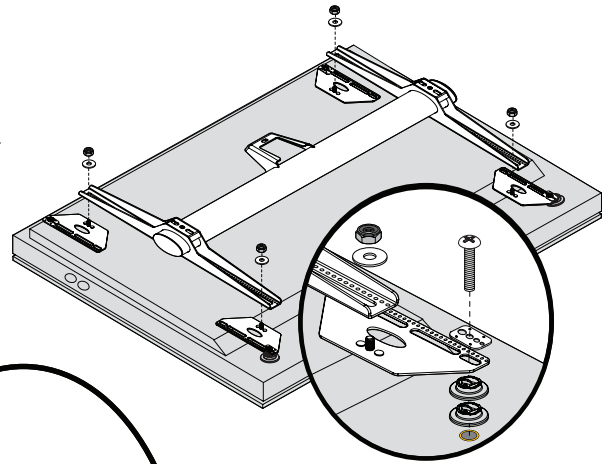
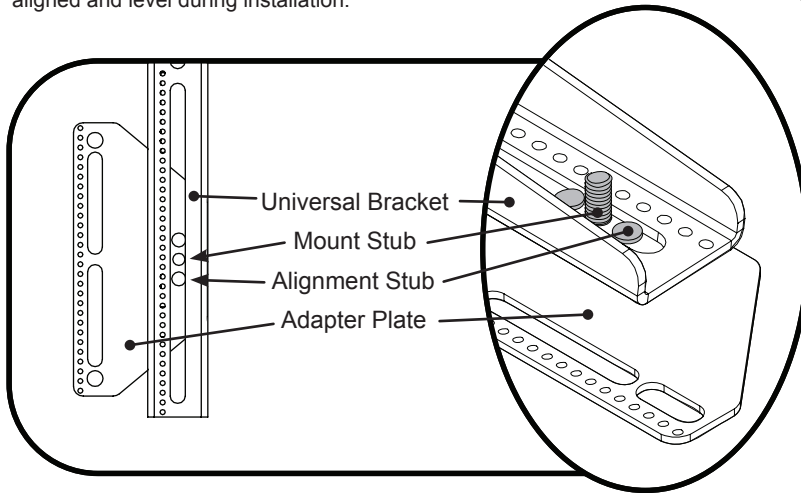
Installationsanleitung, Guía de Instalación, Guida de Installazione, Guide d'Installation, Installatie gids

20

- 1) Place the Universal Bracket assembly on the back of the display, with the threaded mount studs on the Adapter Plates passing through the mount slots on the Universal Brackets.
- 2) Place one (1) 5/16" washer and one (1) M8 Nylon nut on each threaded mount stud.
- 3) Use a socket wrench and 1/2" socket to tighten all M8 Nylon Nuts.
- 4) Use a screwdriver and tighten the mounting hardware determined in the **"Selecting the Mounting Hardware"** section.

Note

Make certain that the two Alignment Stubs on each Adapter Plate are properly seated in the Universal Bracket slots. The Alignment Stubs help keep the Universal Bracket assembly aligned and level during installation.



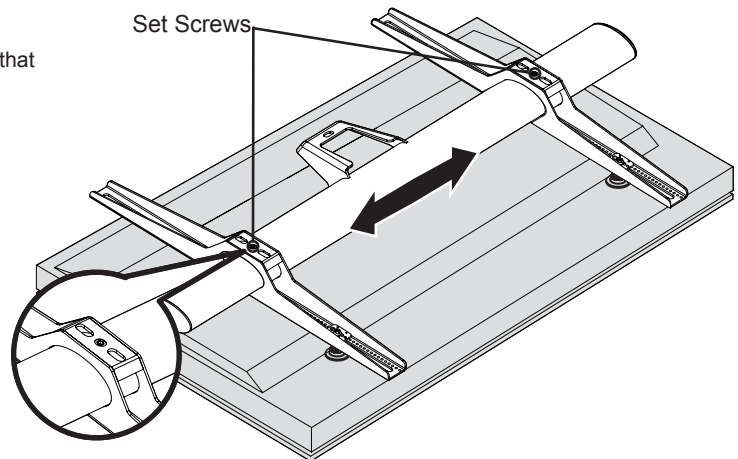
21

- 1) Center the Universal Bracket Bar.
- 2) Use the 5/32" Allen Wrench to tighten the set screws that are located on the back of each Universal Bracket.



Caution!

Do not overtighten the set screws.



PFW 6852

Installation Guide

Installationsanleitung, Guía de Instalación, Guida de Installazione, Guide d'Installation, Installatie gids

22

Attaching the Flat Panel to the Swingout Arm



Caution !

The following procedure requires two people.

Warning !



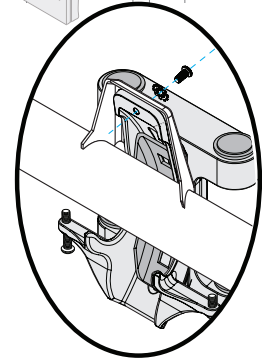
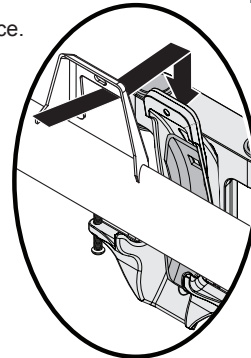
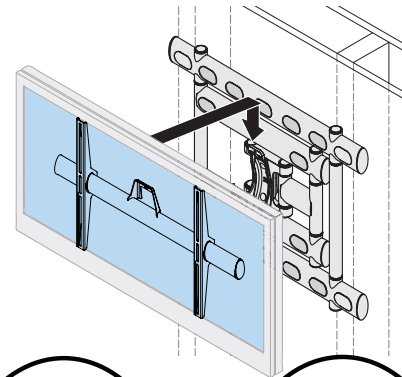
The M6 x 12mm screw and lock washer must be installed otherwise the flat panel can be easily dislodged, causing severe personal injury and/or property damage. Use extreme care when pushing or pulling on the Swing out Arm.

- 1) Lift the flat panel / Universal Bracket assembly to the Swingout Arm.
- 2) Slide the hood of the Universal Bracket Bar over the top of the Nose Piece.
- 3) Slowly lower the flat panel / mounting bracket assembly on to the Nose Piece.
- 4) Insert and tighten M6 x 12mm screw and lock washer to secure the flat panel / mounting bracket assembly to the Swingout Arm.

Warning !



Do not release the flat panel / mounting bracket assembly unless the hood of the Universal Bracket Bar is firmly seated on the Nose Piece.



Flat Panel Removed for Clarity

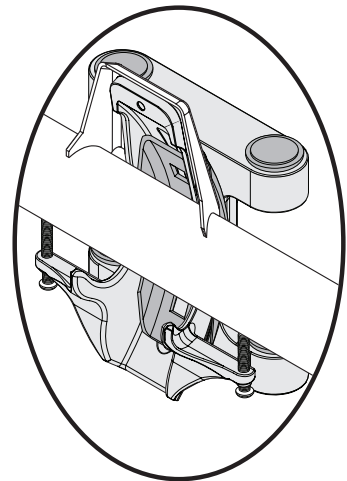
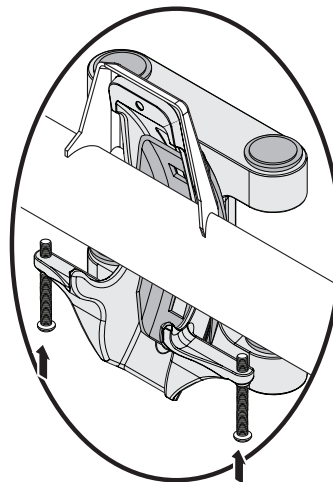
23

Insert and tighten two (2) M6 x 30mm locking screws into the bottom of the Nose Piece.



Caution!

Do not overtighten the M6 x 30mm locking screws.



PFW 6852

Installation Guide

Installationsanleitung, Guía de Instalación, Guida de Installazione, Guide d'Installation, Installatie gids

24

Tilting Positioning

Before making any tilt adjustments, loosen both tension bolts nut one-half turn.

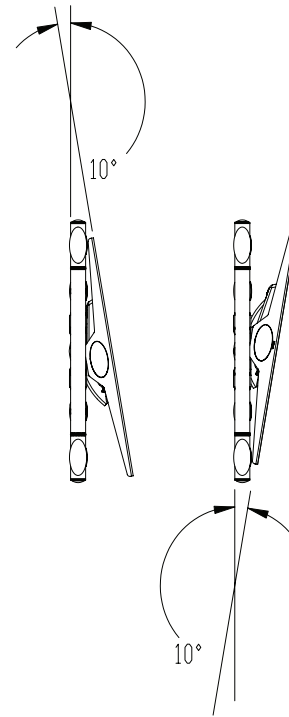
Adjusting the Tilt Angle

- 1) Place one hand at the center top edge of the flat panel.
- 2) Place the other hand on the center bottom edge of the flat panel.
- 3) Using the upper hand, gently pull the top of the flat panel towards while the lower hand gently pushes the bottom of the flat panel away.

Adjusting the Flat Panel to the Original Position

- 1) Place one hand at the center top edge of the flat panel.
- 2) Place the other hand on the center bottom edge of the flat panel.
- 3) Using the upper hand, gently push the top of the flat panel towards the wall while the lower hand gently pulls the bottom of the flat panel away from the wall.

After making any tilt adjustments, tighten then tension bolt nuts one-half turn.



25

Cable Management

Route power and data cables through any of the access points on the Swingout Arm. This not only helps to prevent cables from being pinched, but helps hide unsightly cable clutter.

