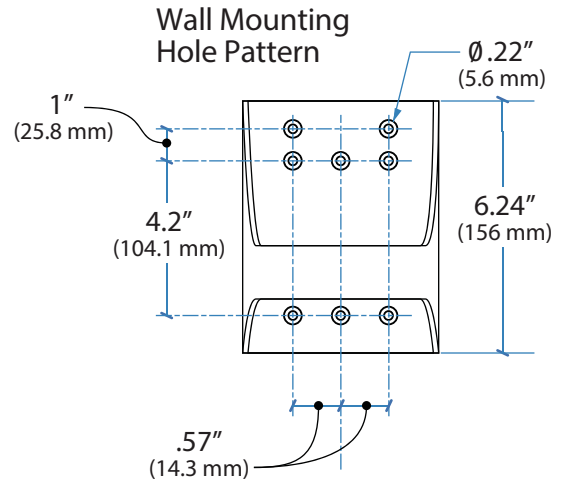
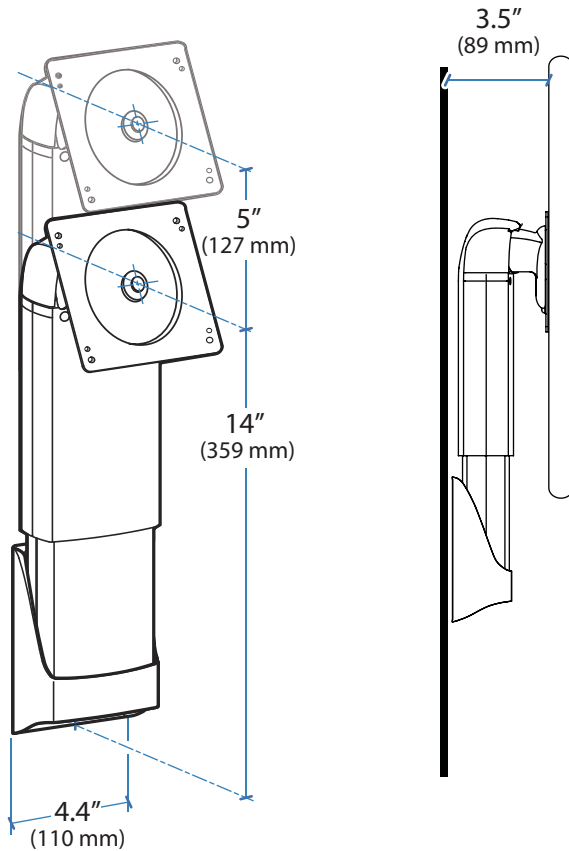
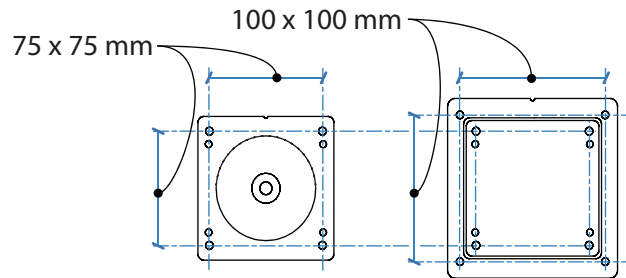


# Neo-Flex 5" Lift Wall Mount

## Dimensions

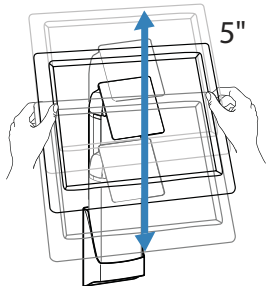


## Display Mounting

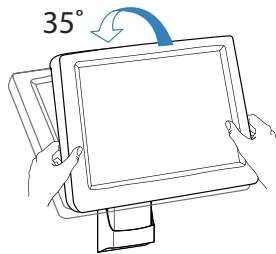


## Range of Motion

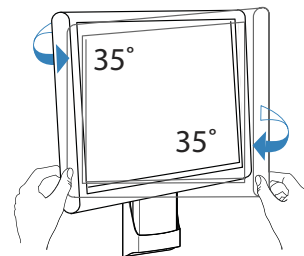
### Up and Down



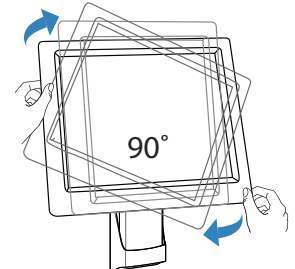
### Back and Forth



### Side to Side



### Portrait/Landscape



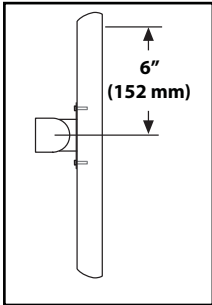
35° or less, depending on size of monitor

# Mounting Height for Ergonomic Workstation

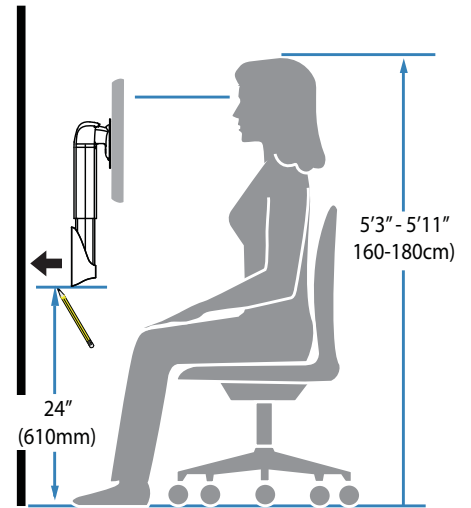
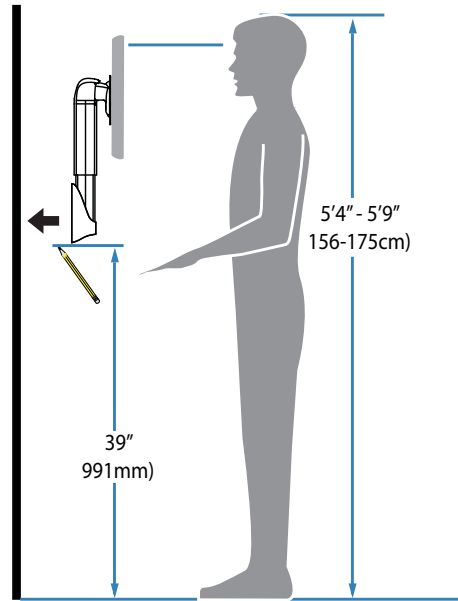
## ergotron

This mounting height is a recommendation for an ergonomic workstation that accommodates user heights of 5'4"-5'9" (156-175cm) when set up for standing and user heights of 5'3"-5'11" (160-180cm) when set up for sitting.

If user heights are different than this, you should change mounting height to accommodate user heights. (Change mounting height one inch for every one inch difference in user heights).



Mounting height assumes there is a 6" (152 mm) distance between the center of your monitor mounting holes and the top of the screen. If your distance is smaller, you should increase mounting height accordingly, if your distance is larger, you should decrease your mounting height accordingly.



**Americas Sales and Corporate Headquarter**

St. Paul, MN USA  
(800) 888-8458  
+1-651-681-7600  
www.ergotron.com  
sales@ergotron.com

**EMEA Sales**

Amersfoort, The Netherlands  
+31 33 45 45 600  
www.ergotron.com  
info.eu@ergotron.com

**APAC Sales**

Tokyo, Japan  
www.ergotron.com  
apaccustomerservice@ergotron.com

**Worldwide OEM Sales**

www.ergotron.com  
info.oem@ergotron.com