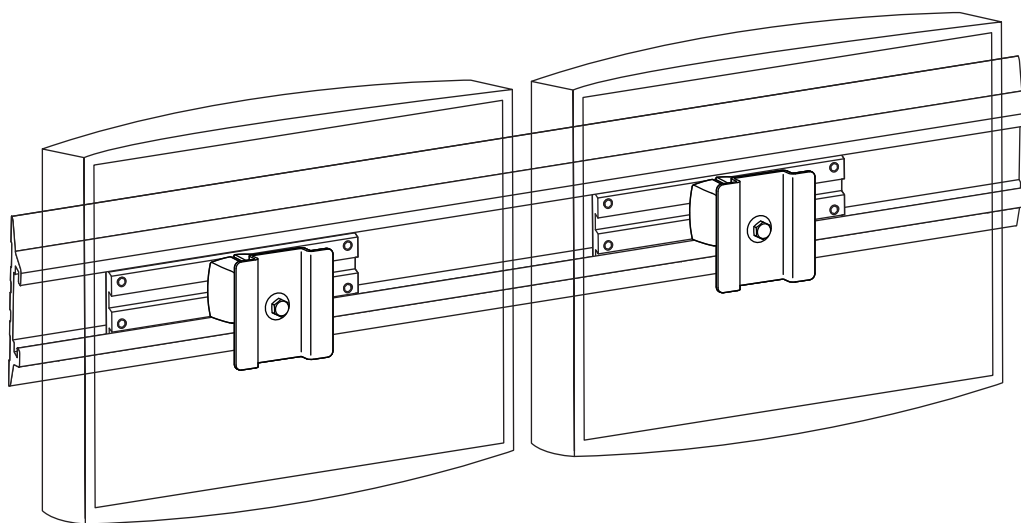


Neo-Flex Dual Display Wall Mount



For the latest User Installation Guide please visit: www.ergotron.com



User's Guide - English
Guía del usuario - Español
Manuel de l'utilisateur - Français
Gebruikersgids - Deutsch
Benutzerhandbuch - Nederlands
Guida per l'utente - Italiano
Användarhandbok - svenska
ユーザーガイド : 日本語
用戶指南 : 汉语



www.ergotron.com

USA 1-800-888-8458

Europe +31 (0)33-45 45 600

China 400-120-3051

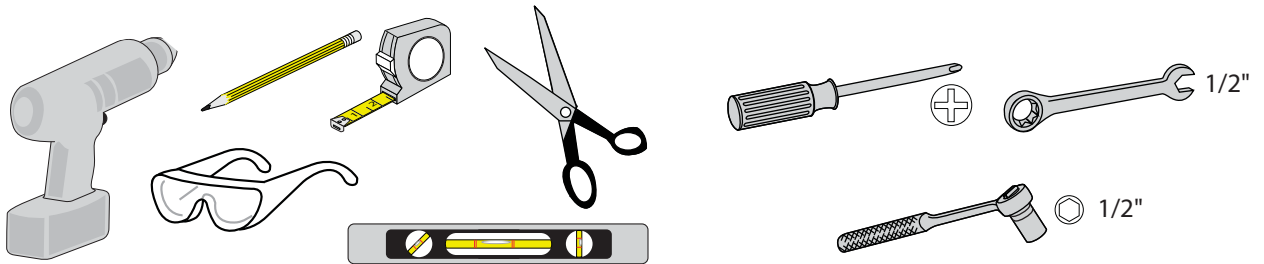
Components

	A	B	C	D
1	1x		2x	4x
2	4x ST6.3 x 50 mm		4x ST6.3 x 50 mm	
3	8x M4 x 10mm	8x	1/8"	3/32"
4	2x 75-100mm	2x	8x	2x
5	8x 1/4-20 x 1/2" set screw	8x 8-32 x 5/16"	8x #8-32 x 1/4"	8x M4 x 10mm
5	8x M6 x 70mm		8x 1/4-20 x 2"	8x M6



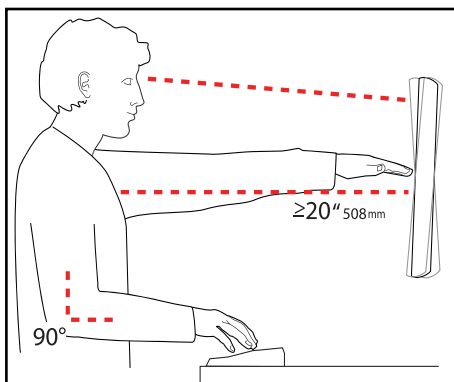
Tools Needed

See Wall Mounting Options for additional tools needed for your type of wall installation.



1 Determine Ergonomic Mounting Height

Set Your Workstation to Work For YOU!

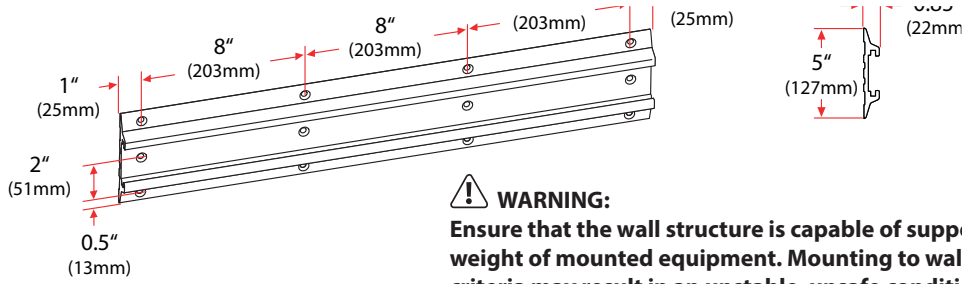


Learn more about ergonomic computer use at: www.computingcomfort.org

- Height** Position top of screen slightly below eye level.
Position keyboard at about elbow height with wrists flat.
- Distance** Position screen an arm's length from face—at least 20" (508mm).
Position keyboard close enough to create a 90° angle in elbow.
- Angle** Tilt screen to eliminate glare.
Tilt the keyboard back 10° so that your wrists remain flat.

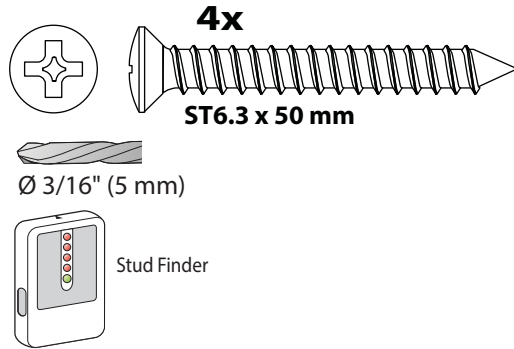
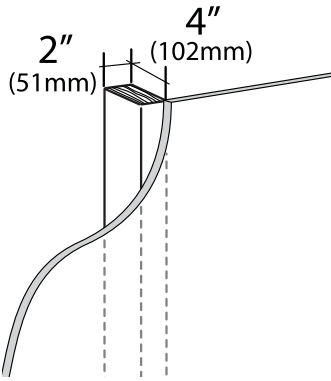
- To Reduce Fatigue
- Breathe - Breathe deeply through your nose.
 - Blink - Blink often to avoid dry eyes.
 - Break • 2 to 3 minutes every 20 minutes
 - 15 to 20 minutes every 2 hours.

2 Wall Mounting Options

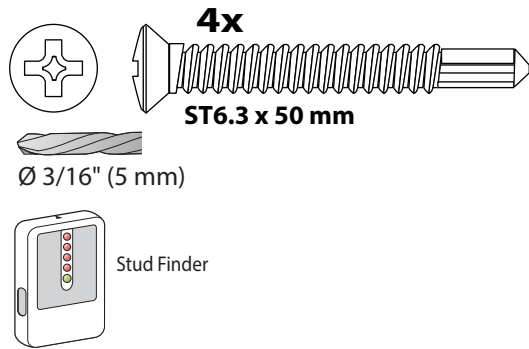
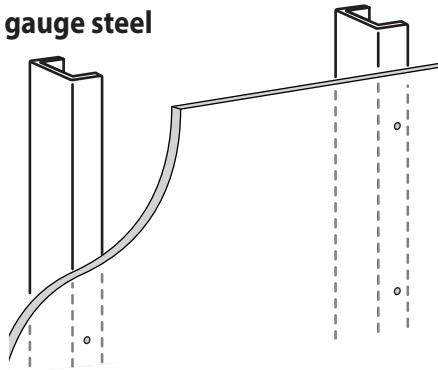


! WARNING:
 Ensure that the wall structure is capable of supporting four times the total weight of mounted equipment. Mounting to wall surfaces that do not meet this criteria may result in an unstable, unsafe condition which could lead to personal injury and/or property damage. Consult a construction professional if you have any doubt about what this means in regard to your particular application.

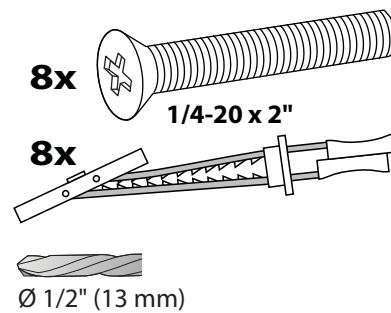
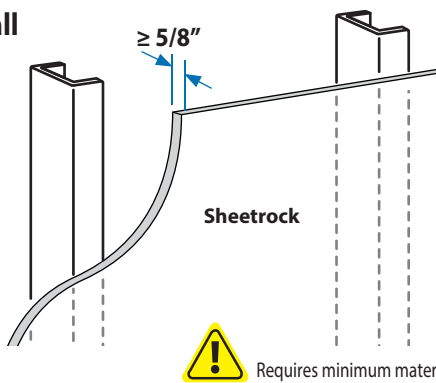
Wood



Studs ≥ 25 gauge steel



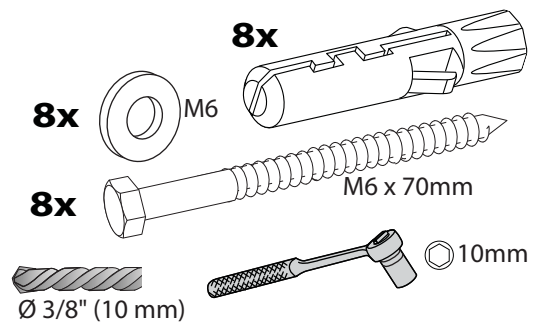
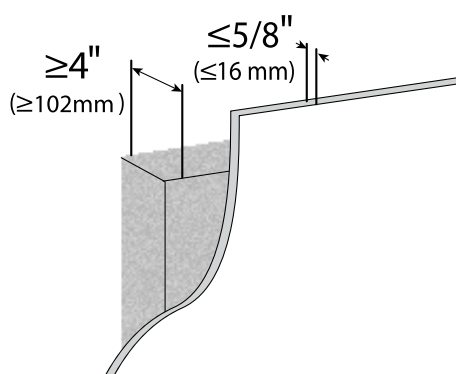
Hollow Wall



! Requires minimum material thickness of 5/8" (16 mm).

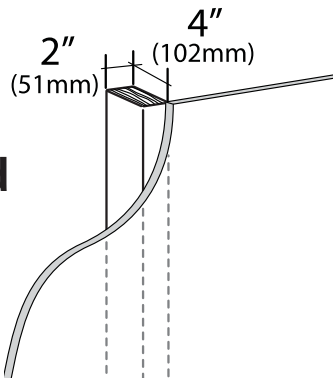


Concrete

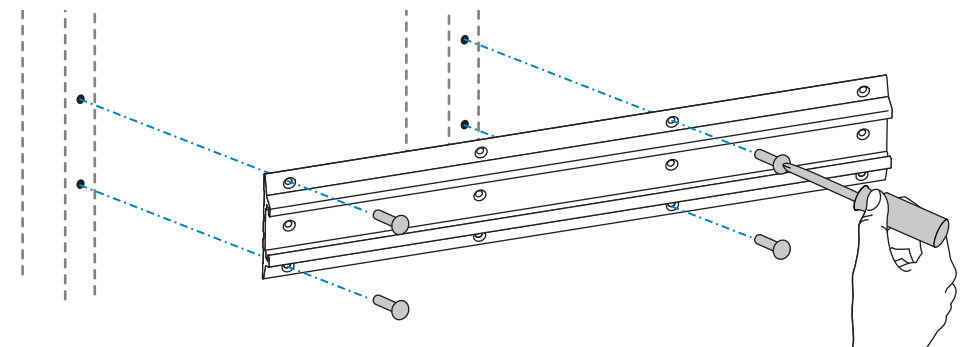
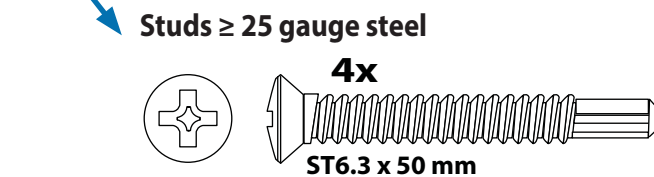
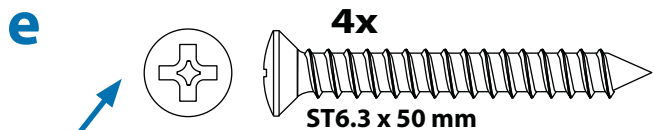
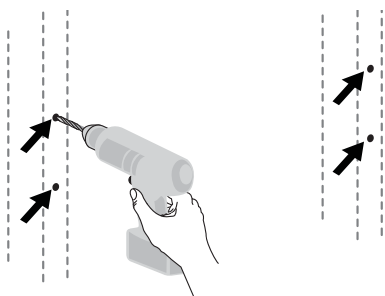
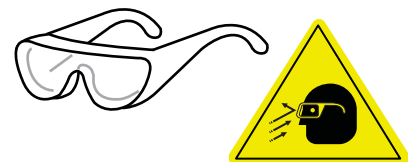
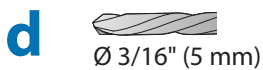
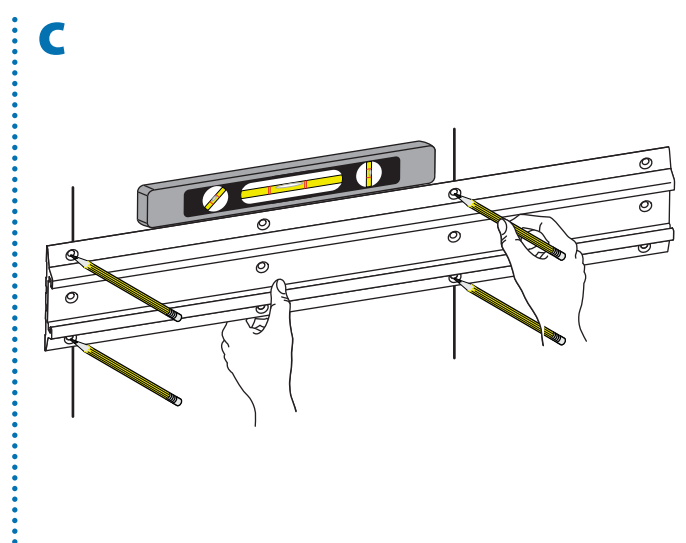
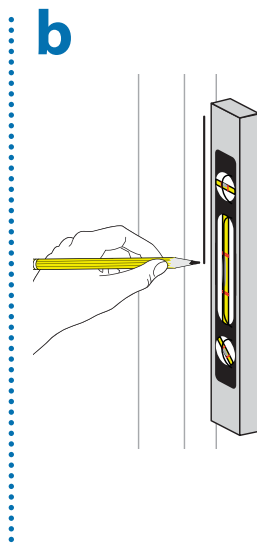
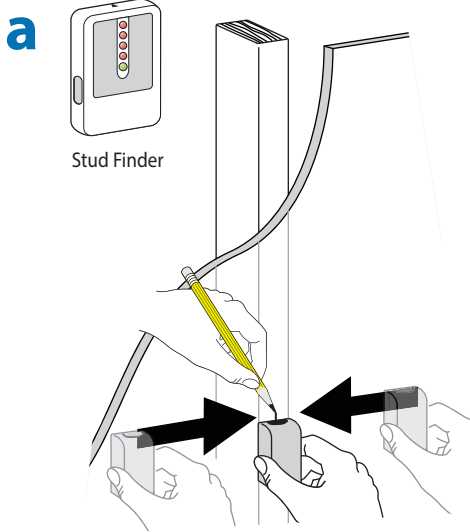
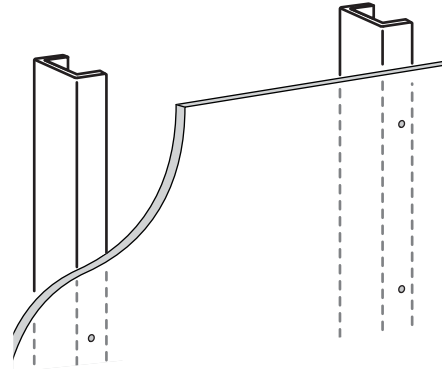


3 Attach to Wall

Wood



Studs \geq 25 gauge steel

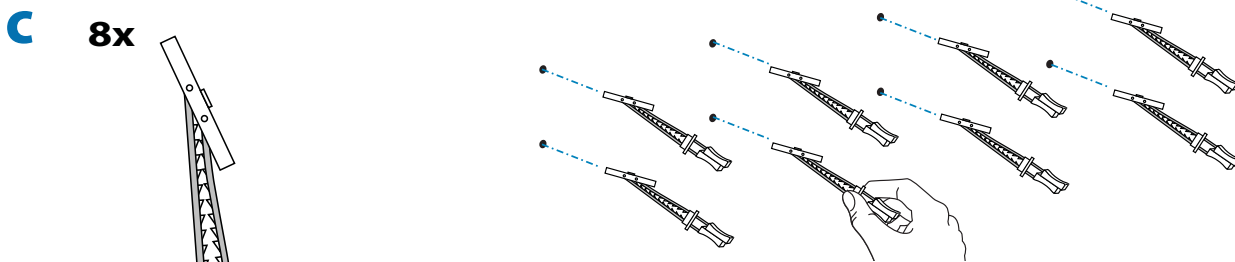
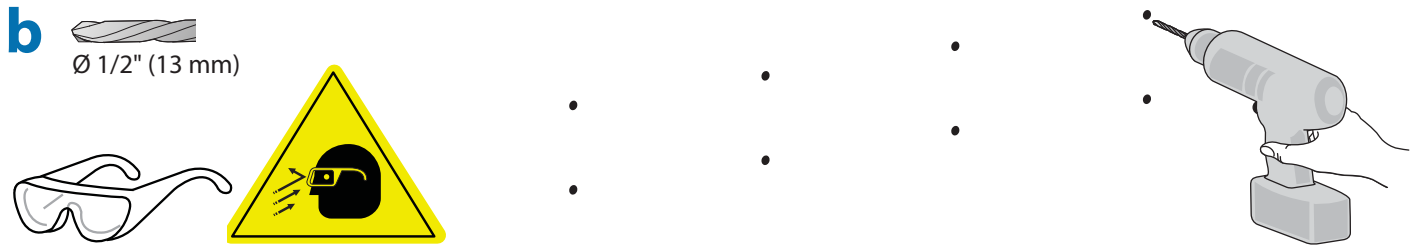
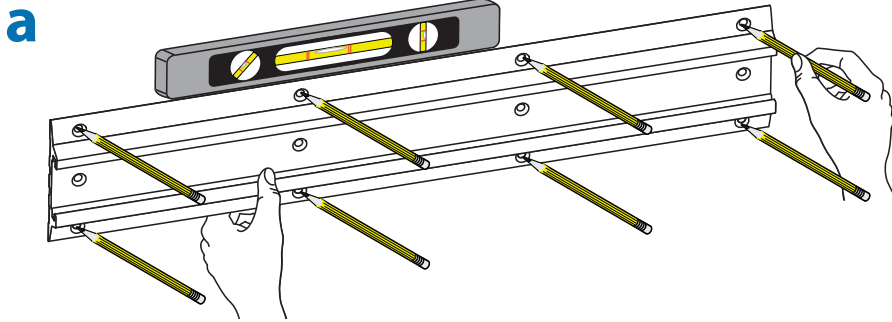
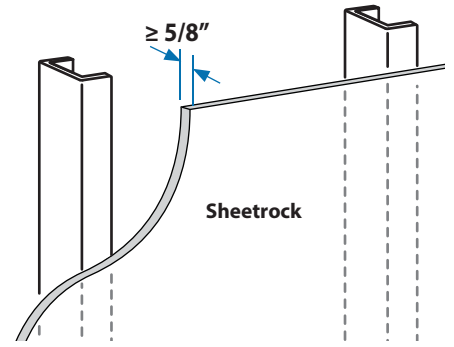


NOTE: Fasteners may unwind due to vibration caused by movement of mounting solution over time. Inspect mounting solution for loose fasteners on a routine basis. If desired, apply a light duty thread locking adhesive to fasteners before installation to prevent back-out.

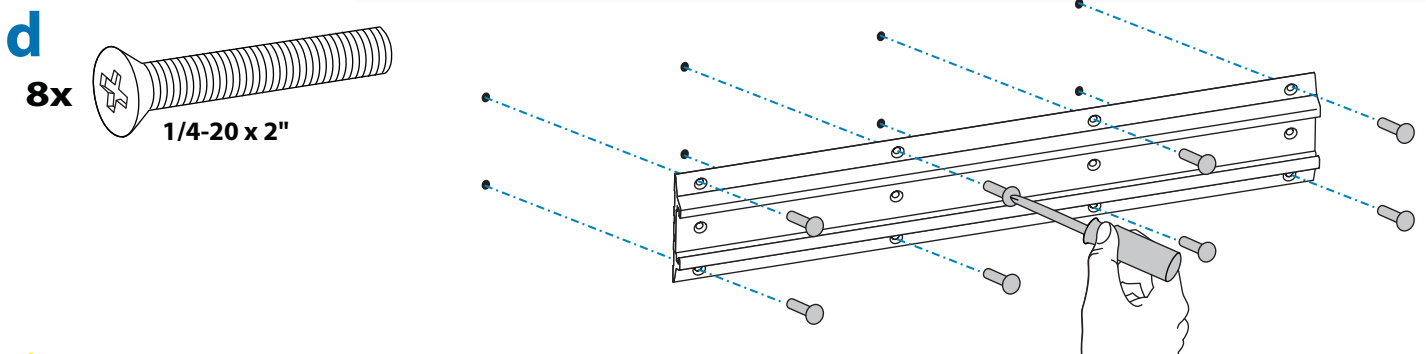


3 Attach to Wall

Hollow Wall



1. Push anchor plate into hole.
2. Pull loop back so plate opens flat against inside surface of wall.
3. Push collar into hole.
4. Snap off loop.

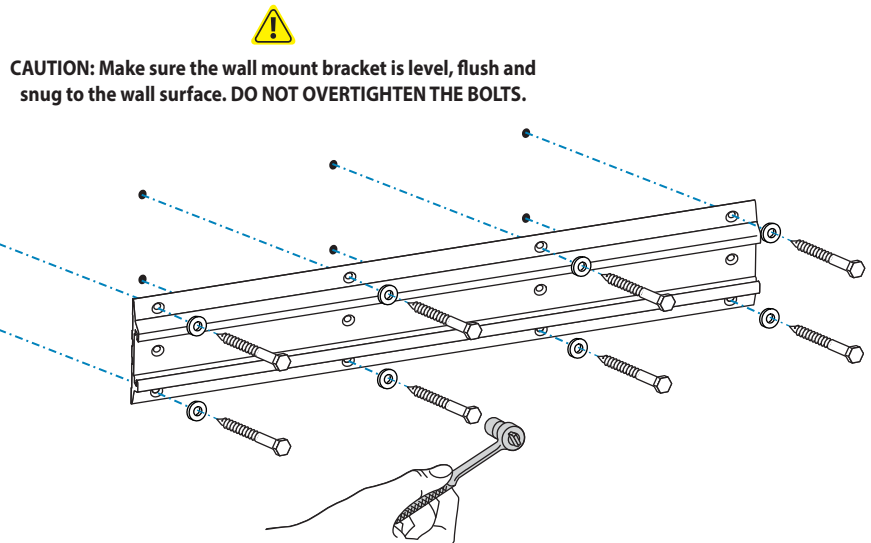
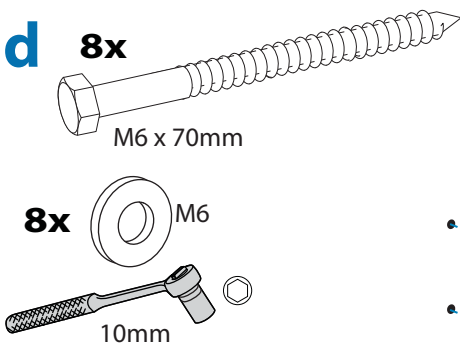
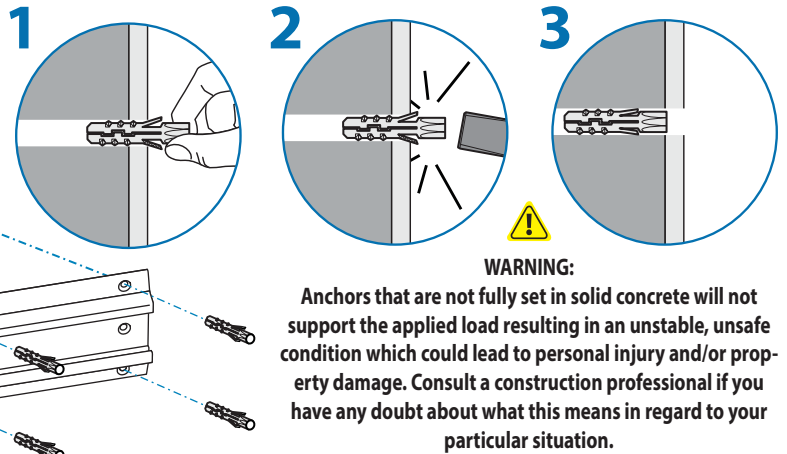
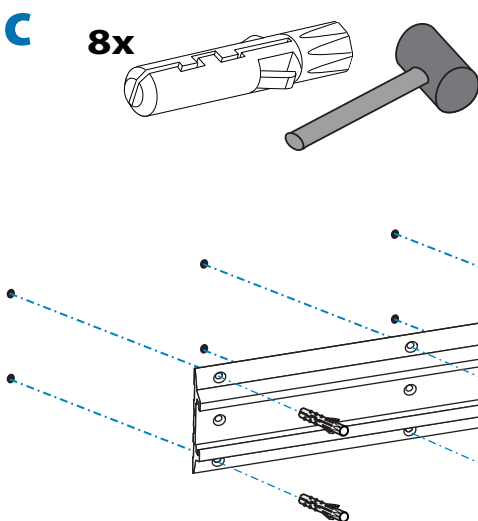
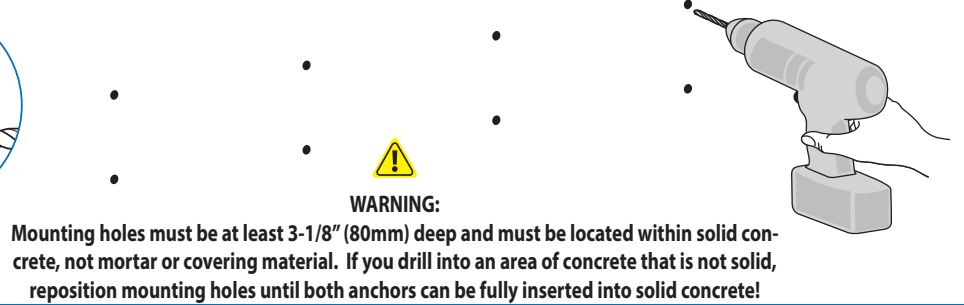
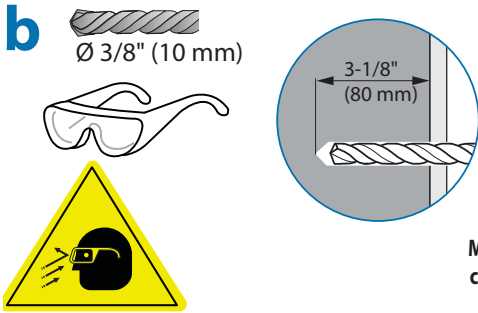
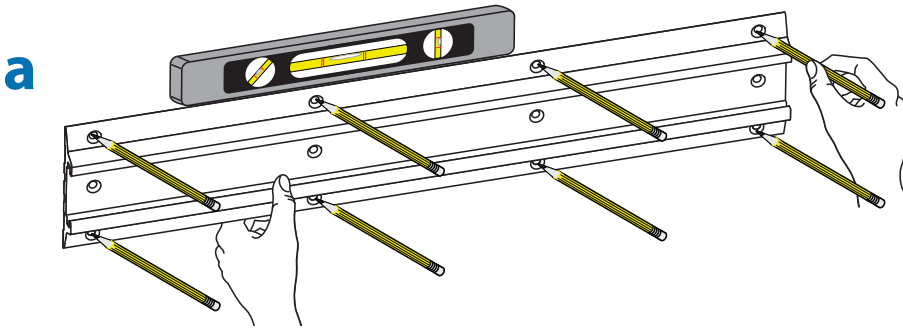
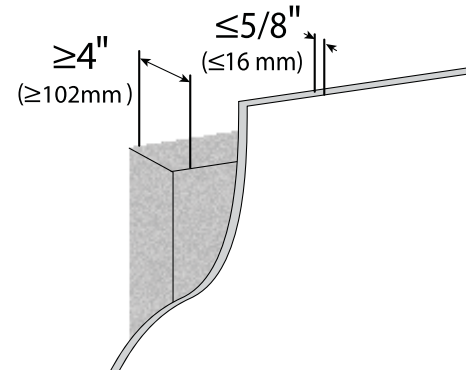


NOTE: Fasteners may unwind due to vibration caused by movement of mounting solution over time. Inspect mounting solution for loose fasteners on a routine basis. If desired, apply a light duty thread locking adhesive to fasteners before installation to prevent back-out.

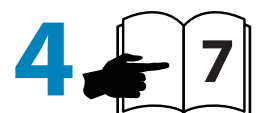


3 Attach to Wall

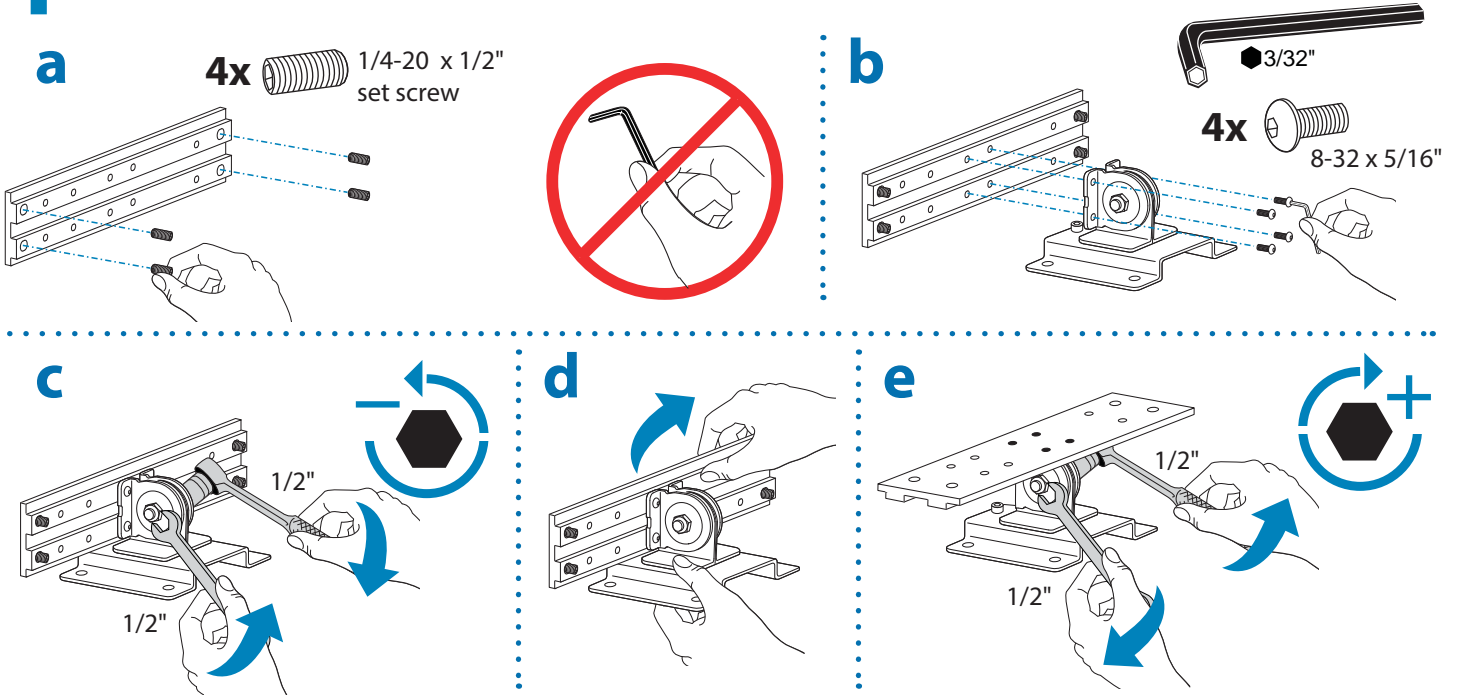
Concrete



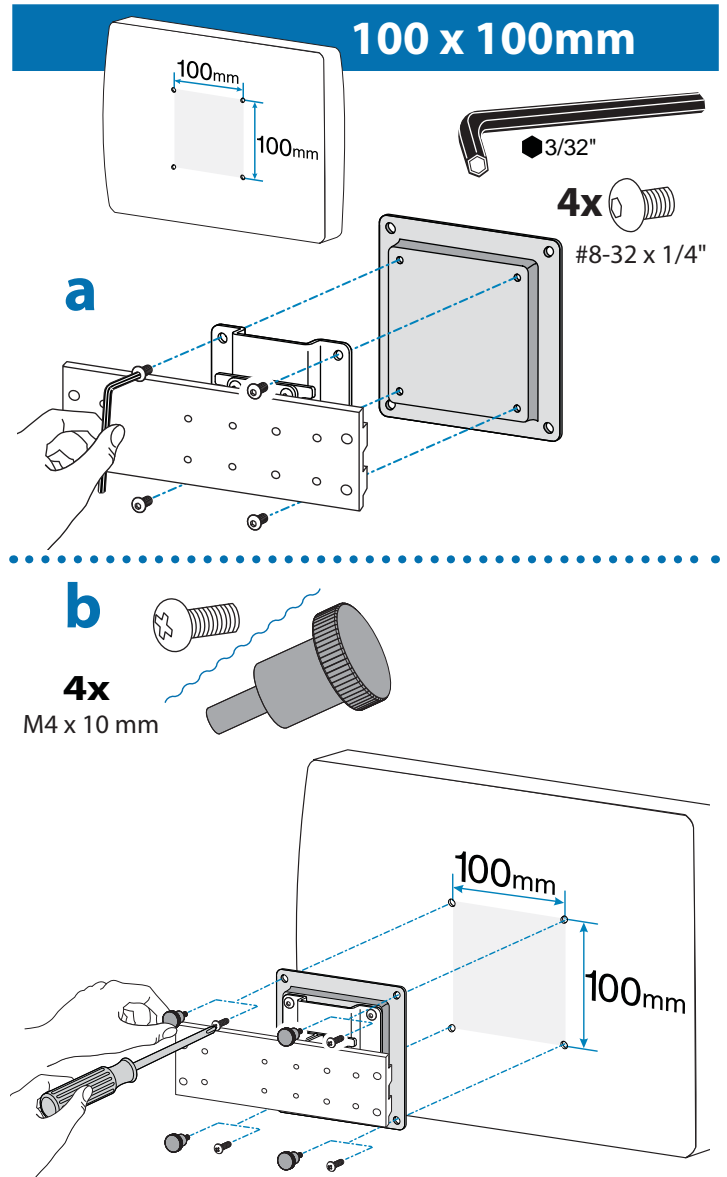
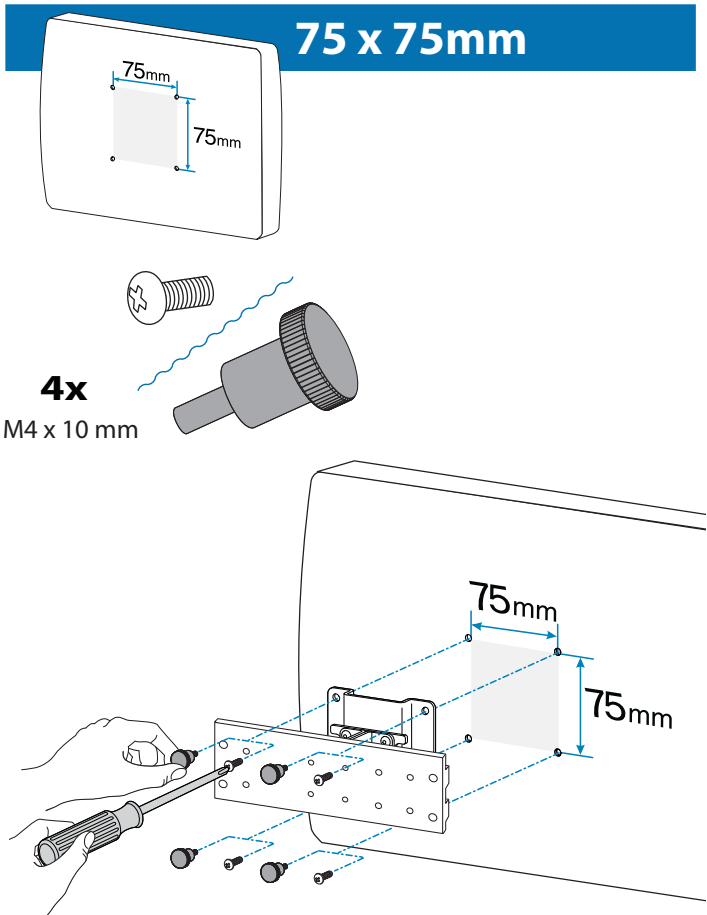
NOTE: Fasteners may unwind due to vibration caused by movement of mounting solution over time. Inspect mounting solution for loose fasteners on a routine basis. If desired, apply a light duty thread locking adhesive to fasteners before installation to prevent back-out.



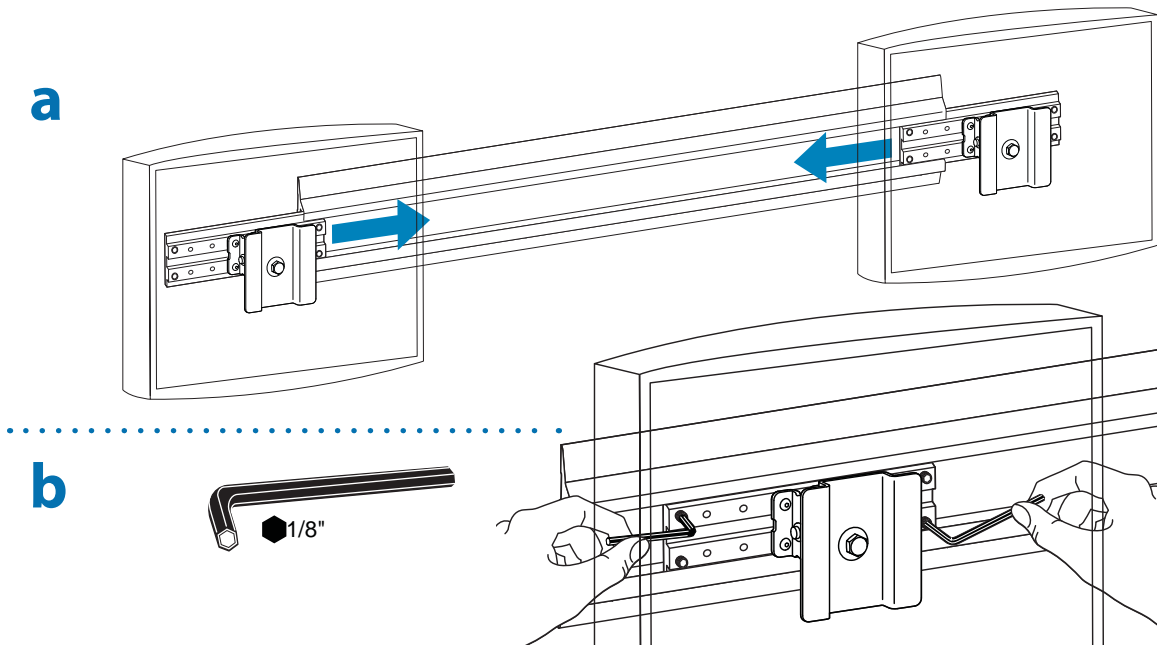
4 Attach Pivots to Brackets



5 Attach Displays



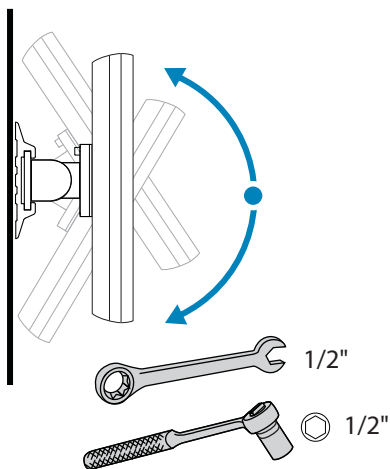
6 Attach Displays to Wall Bracket



7 Range of Motion

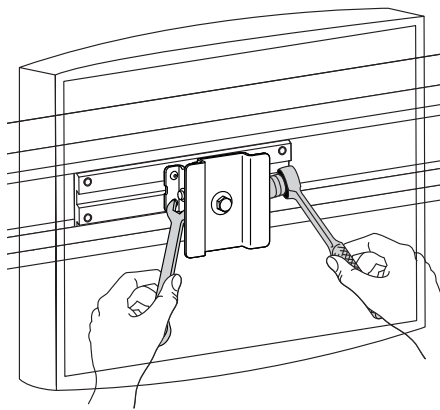
This product is designed to adjust quickly and easily according to your needs – refer to following steps for adjustment.

a Tilt – Forward and Backward



Adjust Tilt – Forward and Backward

If it does not stay in place or movement is stiff, tension needs adjustment. Adjust until motion is equal.



Increase Friction

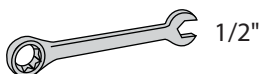
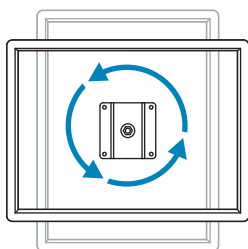
If this product moves too easily, then you'll need to increase friction:



Decrease Friction

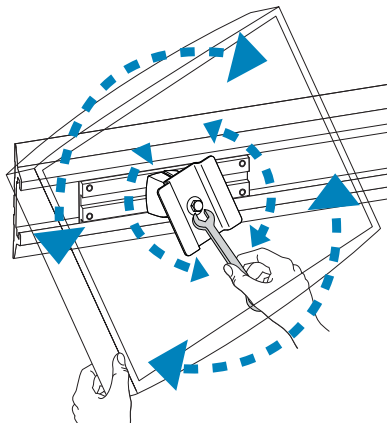
If this product is too difficult to move, then you'll need to decrease friction:

b Rotate - Portrait/Landscape



Adjust Rotate – Portrait/Landscape

If it does not stay in place or movement is stiff, tension needs adjustment. Adjust until motion is equal.



Increase Friction

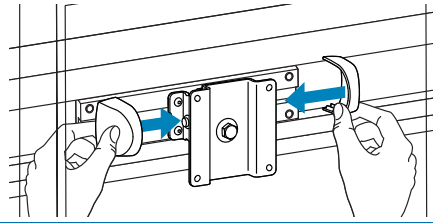
If this product moves too easily, then you'll need to increase friction:



Decrease Friction

If this product is too difficult to move, then you'll need to decrease friction:

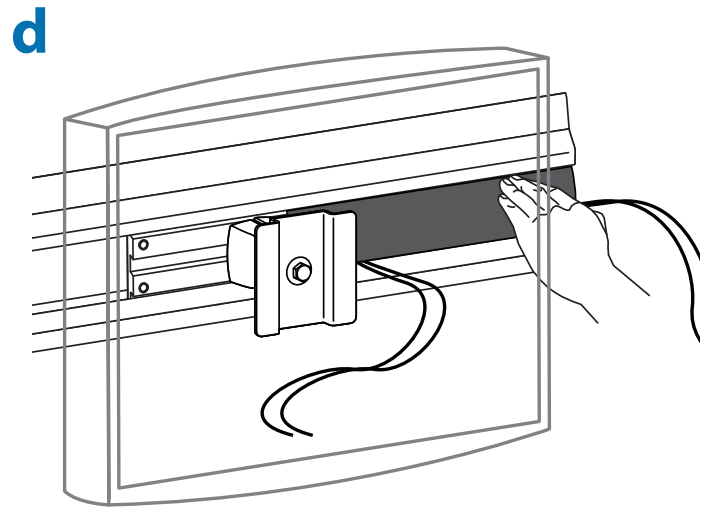
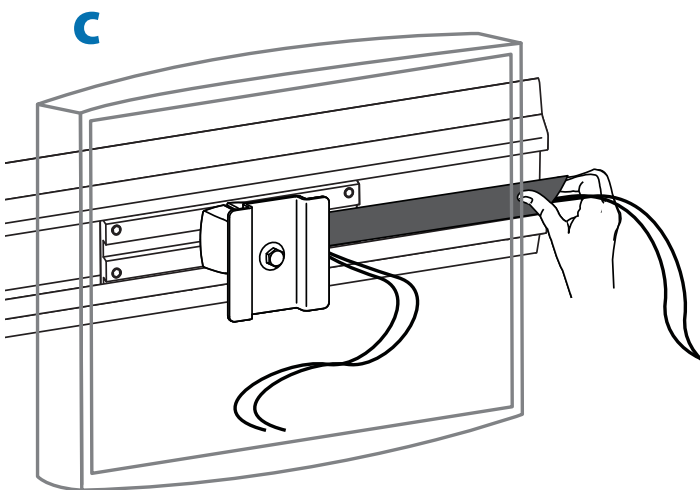
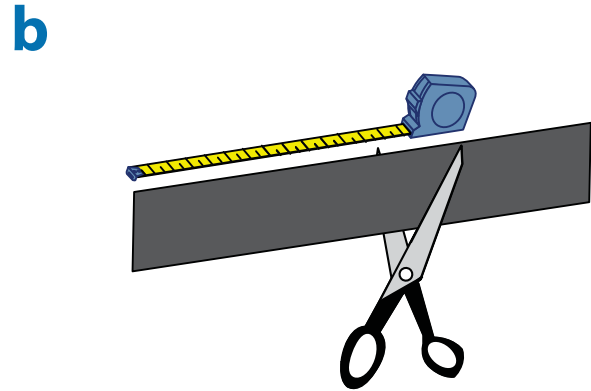
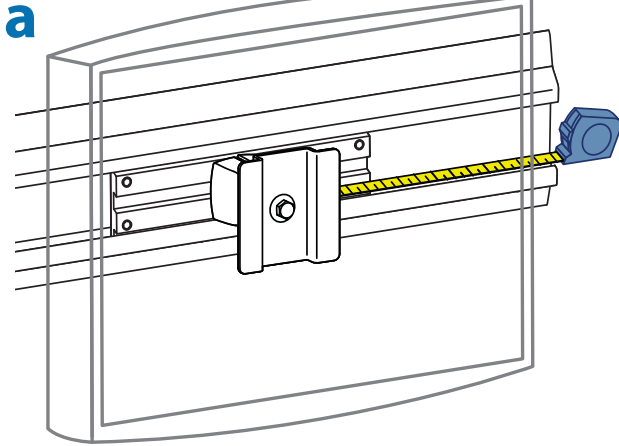
8 Attach Pivot Covers



2x



9 Attach Cable Management



For Warranty visit: www.ergotron.com/warranty

For Service visit: www.ergotron.com

For local customer care phone numbers visit: <http://contact.ergotron.com>

Americas Sales and Corporate Headquarters

1181 Trapp Rd.
St. Paul, MN USA
(800) 888-8458
+1-651-681-7600
www.ergotron.com
sales@ergotron.com

EMEA Sales

Amersfoort, The Netherlands
+31 33 45 45 600
www.ergotron.com
info.eu@ergotron.com

APAC Sales

Tokyo, Japan
www.ergotron.com
apaccustomerservice@ergotron.com

Worldwide OEM Sales

www.ergotron.com
info.oem@ergotron.com

ERGOTRON®

While Ergotron, Inc. makes every effort to provide accurate and complete information on the installation and use of its products, it will not be held liable for any editorial errors or omissions (including those made in the process of translation from English to another language), or for incidental, special or consequential damages of any nature resulting from furnishing this instruction and performance of equipment in connection with this instruction. Ergotron, Inc. reserves the right to make changes in the product design and/or product documentation without notification to its users. For the most current product information, or to know if this document is available in languages other than those herein, please contact Ergotron. No part of this publication may be reproduced, stored in a retrieval system, or transmitted in any form or by any means, electronic, mechanical, photocopying, recording or otherwise without the prior written consent of Ergotron, Inc., 1181 Trapp Road, Eagan, Minnesota, 55121, USA. Patents Pending and Patented U.S. & Foreign. Ergotron is a registered trademark of Ergotron, Inc.

© 2015 Ergotron, Inc. All rights reserved.