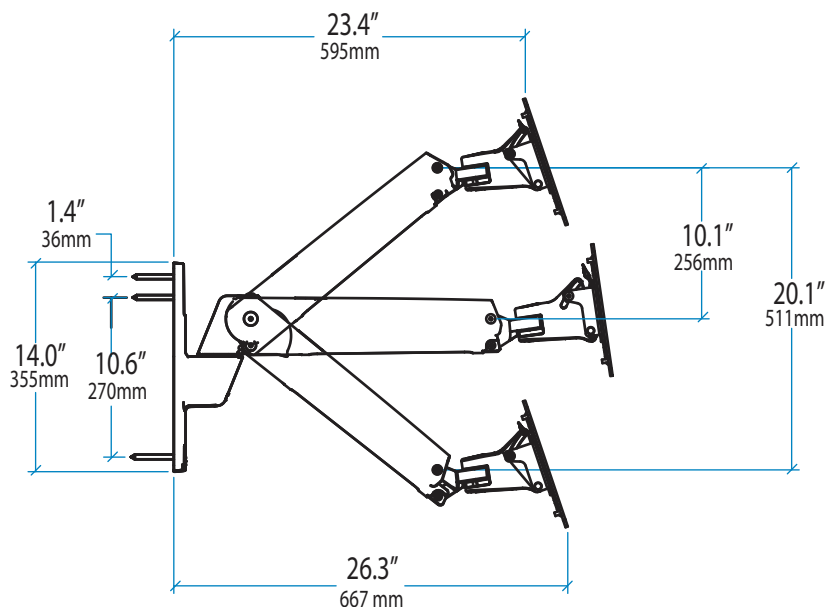


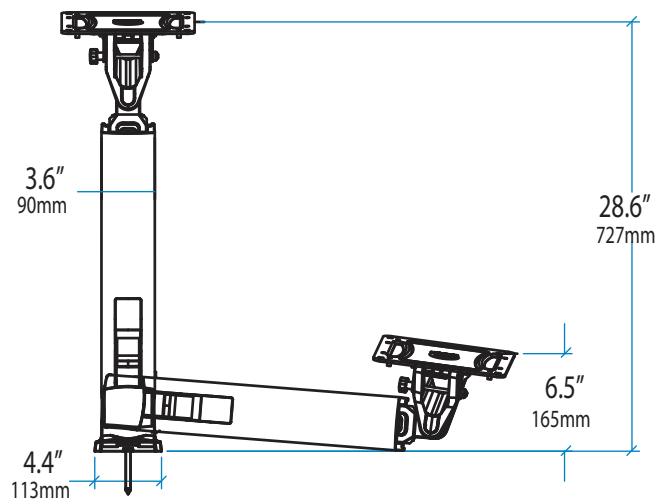
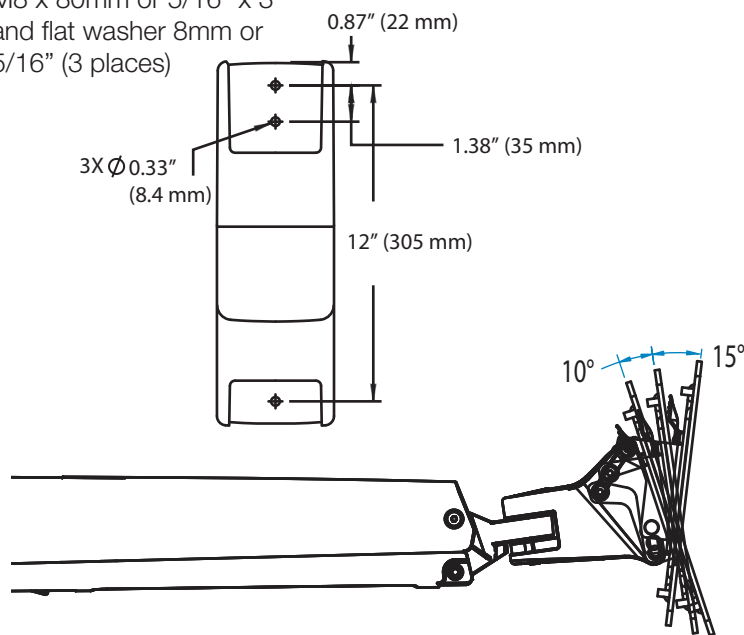
### Interactive Arm VHD

#### Dimensions



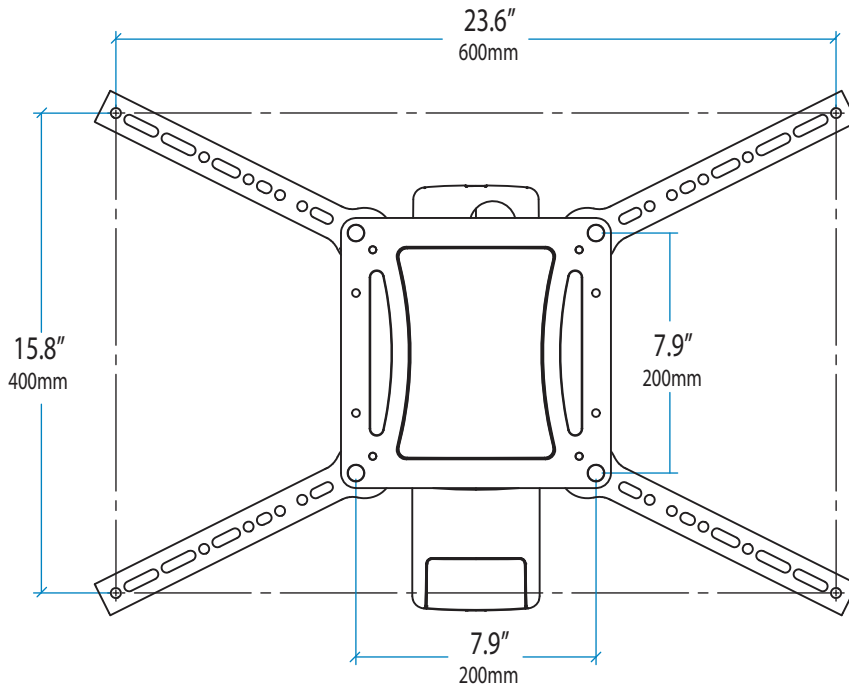
#### Wall Mount Bracket

Stud mounting:  
M8 x 80mm or 5/16" x 3"  
and flat washer 8mm or  
5/16" (3 places)



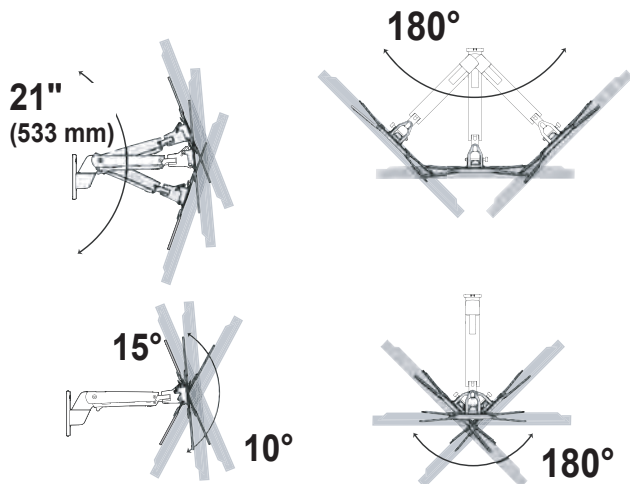
## Interactive Arm VHD

### Dimensions

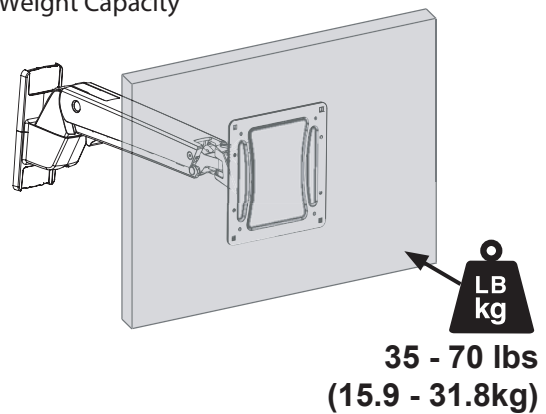


## VESA

### Range of Motion



### Weight Capacity



© 2013 Ergotron, Inc. rev. 10/07/2019 DIM-interactVHD Content is subject to change without notification

#### Americas Sales and Corporate Headquarter

St. Paul, MN USA  
 (800) 888-8458  
 +1-651-681-7600  
 www.ergotron.com  
 sales@ergotron.com

#### EMEA Sales

Amersfoort, The Netherlands  
 +31 33 45 45 600  
 www.ergotron.com  
 info.eu@ergotron.com

#### APAC Sales

Tokyo, Japan  
 www.ergotron.com  
 apaccustomerservice@ergotron.com

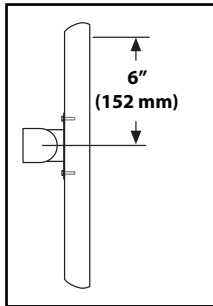
#### Worldwide OEM Sales

www.ergotron.com  
 info.oem@ergotron.com

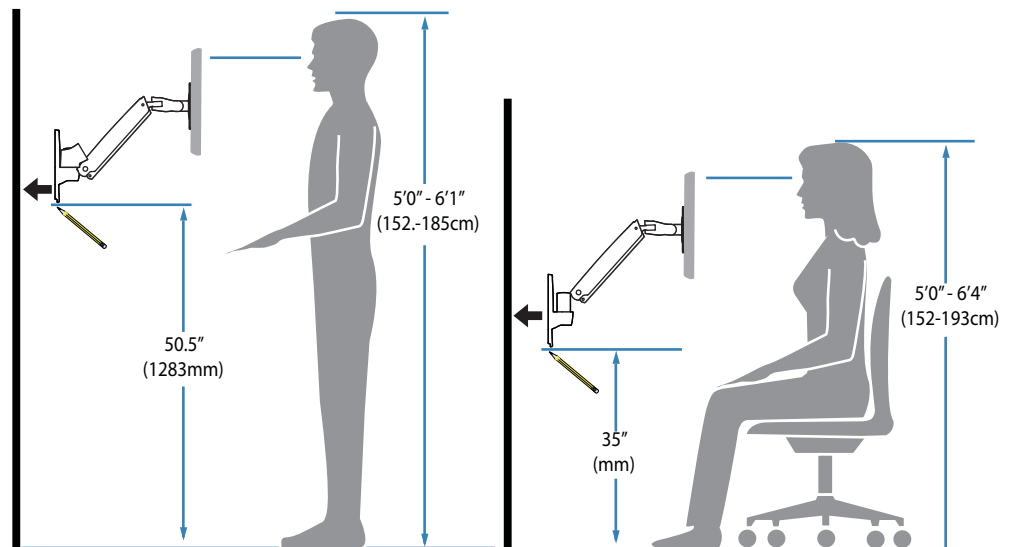
## Mounting Height for Ergonomic Workstation

This mounting height is a recommendation for an ergonomic workstation that accommodates user heights of 5'0"-6'11" (152-185cm) when set up for standing and user heights of 5'0"-6'4" (152-193cm) when set up for sitting.

If user heights are different than this, you should change mounting height to accommodate user heights. (Change mounting height one inch for every one inch difference in user heights).



Mounting height assumes there is a 6" (152 mm) distance between the center of your monitor mounting holes and the top of the screen. If your distance is smaller, you should increase mounting height accordingly, if your distance is larger, you should decrease your mounting height accordingly.



## SPACE REQUIREMENTS

